

Index Plungers • with release lock EH 22122.



Product Description

Index plungers are used for indexing bores.

Material

Body

- Steel, blackened
- Stainless steel 1.4305

Press button

- Thermoplastic POM, red

Locking pin

- Steel, hardened
- Stainless steel 1.4305, nickel-plated

Knob

- Thermoplastic PA 6, black-grey, matt

Assembly

The screw length can be adapted by distance collars for index plungers (EH 22120.).

Operation

Actuate the red press button, and hold it in the pressed position. Only then can the locking pin be drawn in by pulling the knob.

More information

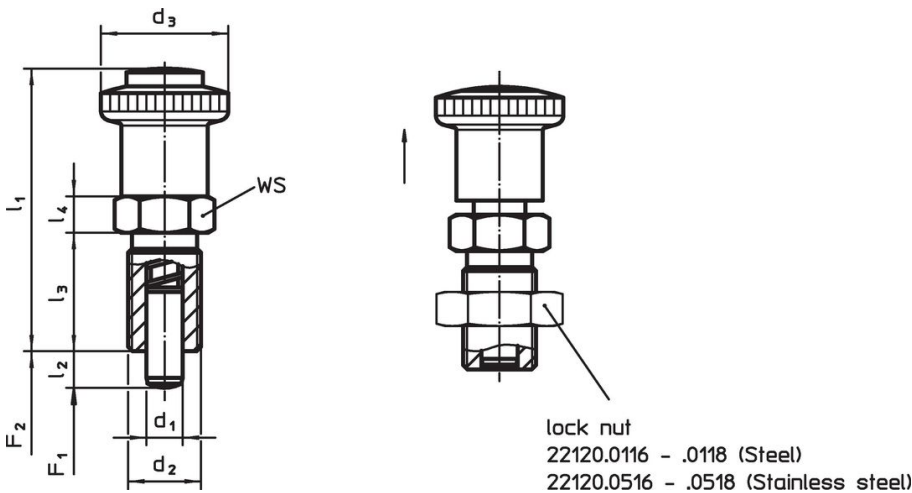
Notes

Knob not removable.
Lock nuts have to be purchased separately.

Further products

- Locating Bushings, for index bolts and index plungers
- Distance Collars, for index plungers
- Mounting Blocks, for index bolts and index plungers

Drawing



Order information



d ₁	d ₂	Dimensions					WS	Spring load ¹⁾		Temperature		Weight	Art. No.
		l ₂ min.	d ₃	l ₁ ~	l ₃	l ₄		F ₁ ~	F ₂ ~	min.	max.		
		[mm]					[mm]	[N]		[°C]		[g]	
-0.02 -0.04													
6	M12 x 1,5	6	28	56	22	6	19	6.5	19	-30	80	45	22122.0005
6	M12 x 1,5	9	28	56	22	6	19	6.0	25	-30	80	45	22122.0010
8	M16 x 1,5	8	28	62	26	8	19	8.5	26	-30	80	73	22122.0015
8	M16 x 1,5	12	28	62	26	8	19	8.5	28	-30	80	74	22122.0020
10	M16 x 1,5	12	28	62	26	8	19	9.5	38	-30	80	75	22122.0025

¹⁾ statistical average value

d ₁ -0.02 -0.04	d ₂	Dimensions					WS [mm]	Spring load ¹⁾		min. max.		[g]	Art. No.		
		l ₂ min.	d ₃	l ₁ ~	l ₃	l ₄		F ₁ ~	F ₂ ~	[°C]					
[mm]													[N]	[°C]	[g]
Stainless steel															
6	M12 x 1,5	6	28	56	22	6	19	6.5	19	-30	80	45	22122.0105		
6	M12 x 1,5	9	28	56	22	6	19	6.0	25	-30	80	45	22122.0110		
8	M16 x 1,5	8	28	62	26	8	19	8.5	26	-30	80	73	22122.0115		
8	M16 x 1,5	12	28	62	26	8	19	8.5	28	-30	80	74	22122.0120		
10	M16 x 1,5	12	28	62	26	8	19	9.5	38	-30	80	75	22122.0125		

¹⁾ statistical average value

Accessories

	Dimensions d ₂ [mm]	Wrench size [mm]	[g]	Art. No.
Steel				
	M12 x 1,5	18	7.5	22120.0116
	M16 x 1,5	24	15.0	22120.0118
Stainless steel				
	M12 x 1,5	18	7.5	22120.0516
	M16 x 1,5	24	15.0	22120.0518

Compliance

For detailed compliance information please select the desired article number.