

Lateral Plungers • smooth, without seal

EH 22150.



Product Description

To be used for positioning and applying pressure, e.g. during painting and sandblasting.

Material

Body

- Aluminium Al

Spring

- Stainless steel
- Steel, blackened
- Steel, zinc-plated by galvanization

Pin

- Steel, case-hardened, zinc-plated by galvanization
- Thermoplastic POM, white

Assembly

Installation by pressing in.

Formula for calculating the center distance for the mounting hole:

$$l_0 = z/2 + w + x,$$

l_0 = center distance,

y = workpiece height,

w = workpiece length,

x = coordinate dimension,

s = stroke,

z = stop diameter

Calculation dimension x :

y greater than or equal to $l_2 - d_2/2$,

then $x = d_2/2 - s$

(value x for this case see table)

or

y smaller than $l_2 - d_2/2$,

then $x = d_2/2 - s - [(l_2 - d_2/2 - y) * 0,123]$

Characteristic

Version light spring load = spring from stainless steel

Version standard spring load = spring from steel, blackened

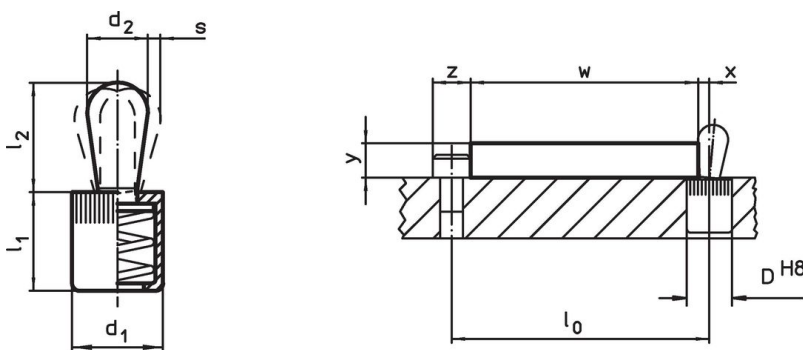
Version heavy spring load = spring from steel, zinc-plated by galvanization

More information

Further products

- Eccentric Mounting Bushings, for lateral plungers, smooth

Drawing



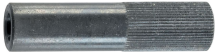
Order information

Dimensions		Spring load F max. ¹⁾ ~ [N]	Dimensions		Stroke s [mm]	Location hole D H8 [mm]	x ²⁾ [mm]	max. [°C]	[g]	Art. No.
d ₁ [mm]	d ₂ [mm]		l ₁ -1 [mm]	l ₂ ±0.5 [mm]						
Pin: Steel/pin from steel, light spring load										
6	3	10	7.0	4.0	0.5	6	1.0	250	0.6	22150.0010
10	5	20	11.0	6.7	0.8	10	1.7	250	2.6	22150.0020
10	6	40	11.0	10.7	1.0	10	1.9	250	3.4	22150.0025
12	8	50	13.5	13.6	1.3	12	2.7	250	6.8	22150.0030
16	10	100	18.0	16.7	1.6	16	3.1	250	14.0	22150.0040
Pin: Steel/pin from steel, standard spring load										
6	3	20	7.0	4.0	0.5	6	1.0	250	0.6	22150.0011
10	5	50	11.0	6.7	0.8	10	1.7	250	2.8	22150.0021
10	6	75	11.0	10.7	1.0	10	1.9	250	3.6	22150.0026
12	8	100	13.5	13.6	1.3	12	2.7	250	7.3	22150.0031
16	10	150	18.0	16.7	1.6	16	3.1	250	15.0	22150.0041
Pin: Steel/pin from steel, heavy spring load										
6	3	40	7.0	4.0	0.5	6	1.0	250	0.7	22150.0012
10	5	100	11.0	6.7	0.8	10	1.7	250	3.0	22150.0022
10	6	100	11.0	10.7	1.0	10	1.9	250	3.9	22150.0027
12	8	150	13.5	13.6	1.3	12	2.7	250	7.8	22150.0032
16	10	200	18.0	16.7	1.6	16	3.1	250	15.0	22150.0042
Pin: Thermoplastic/pin from thermoplastic, light spring load										
6	3	10	7.0	4.0	0.5	6	1.0	80	0.3	22150.0050
10	5	20	11.0	6.7	0.8	10	1.7	80	1.3	22150.0060
10	6	40	11.0	10.7	1.0	10	1.9	80	1.5	22150.0062
12	8	50	13.5	13.9	1.3	12	2.7	80	2.9	22150.0070
16	10	100	18.0	16.7	1.6	16	3.1	80	6.6	22150.0080

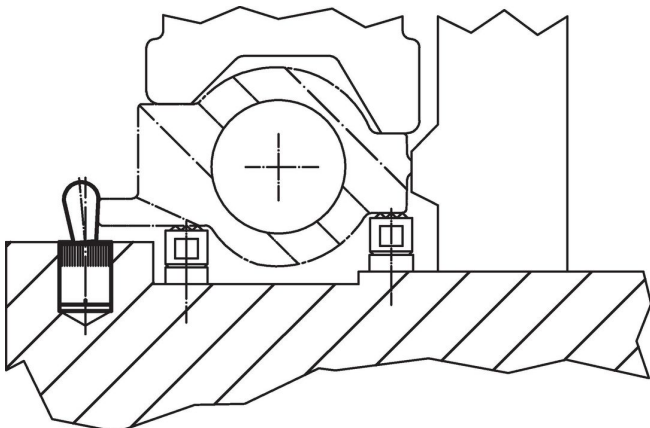
¹⁾ statistical average value

²⁾ If the workpiece height (y) is less than $l_2 - d_2/2$, the coordinate dimension (x) must be calculated.

Accessories

	Dimensions d ₁ [mm]	[g]	Art. No.
assembly tool			
	6	19	22150.0830
	10	49	22150.0831
	12	86	22150.0832
	16	105	22150.0833

Application example



Compliance

For detailed compliance information please select the desired article number.