

Locating Bushings · for ball lock pins and socket pins

EH 22400.



Product Description

This design with holes on the front face (picture 2) is suitable for applications which require installation flush to the surface.

Locating bushings are used for quick and safe locating of ball lock pins EH 22340., EH 22350., EH 22370. and EH 22380. and socket pins EH 22400.

Optimised centering due to precise collar (e.g. quick mounting of plates and components). All versions are corrosion and abrasion resistant.

Material

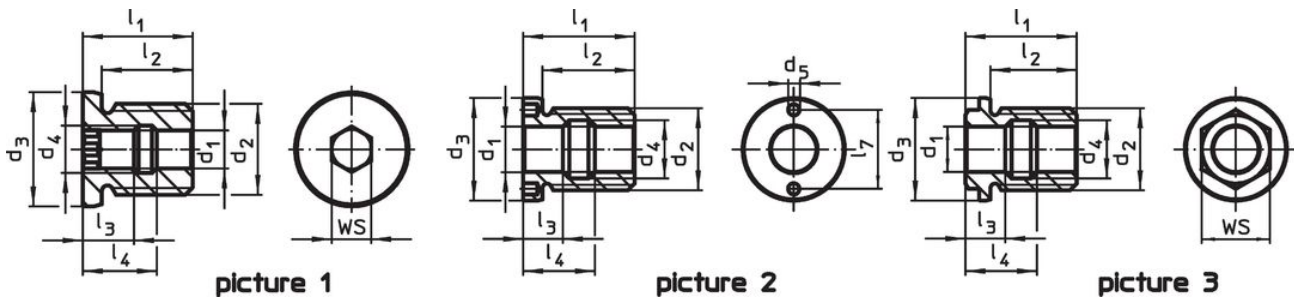
- Stainless steel 1.4305

Assembly

This design with holes on the front face (picture 2) can be installed via a cranked pin face wrench or alternatively via a pin faced socket wrench.

Ensure safe tolerances and consistent function. Easily incorporable into different materials. Can be used in thin-walled pieces. Application from both sides.




Drawing



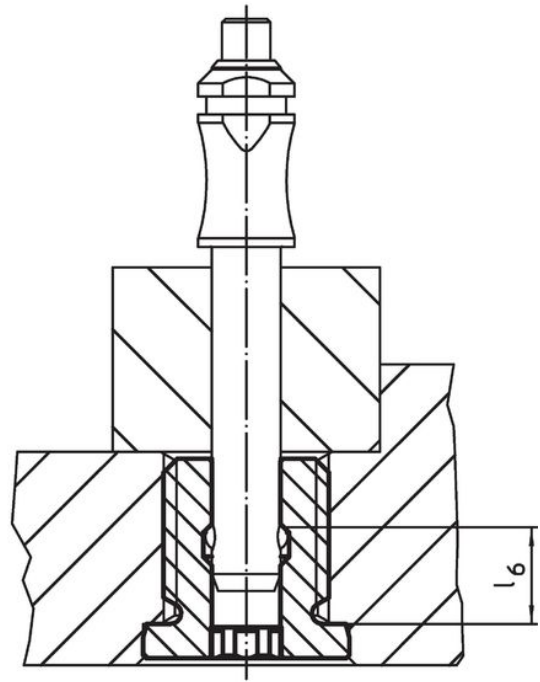
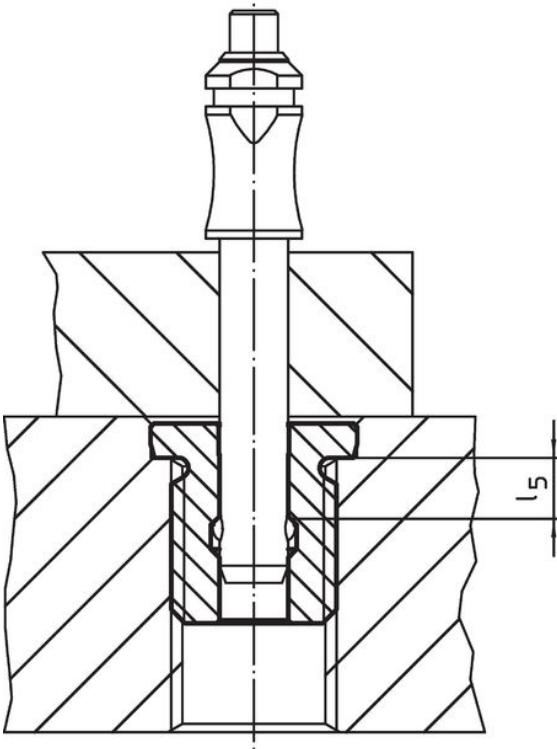
Order information

d ₁ H11	d ₂	d ₃ h9	d ₄	d ₅ +0.1	Dimensions							WS [mm]	[g]	Art. No.
					l ₁	l ₂	l ₃	l ₄	l ₅	l ₆	l ₇			
[mm]														
with internal hexagon – picture 1														
5	M12	18	6.0	–	19	15	9.0	13.0	5.1	9.0	–	5	15	22400.0905
6	M12	18	7.5	–	19	15	9.4	13.0	5.6	8.8	–	6	19	22400.0906
8	M16	22	10.0	–	25	20	12.0	17.0	7.3	11.7	–	8	29	22400.0908
10	M24	30	12.5	–	29	24	13.5	19.5	8.9	14.1	–	10	76	22400.0910
12	M24	30	15.0	–	29	24	14.0	20.0	9.6	14.4	–	12	66	22400.0912
plain, with face hole – picture 2														
16	M30	39	19.5	5.1	39	33	15.5	23.5	10.4	16.6	30	–	248	22400.0925
20	M36	43	25.5	5.1	49	42	17.5	31.5	11.9	23.1	30	–	364	22400.0926
25	M42	50	32.0	5.1	65	57	26.5	38.5	13.3	21.8	36	–	350	22400.0927
with outer hexagon – picture 3														
16	M30	36	19.5	–	39	29	15.5	23.5	6.1	12.8	–	24	124	22400.0916
20	M36	45	25.5	–	49	38	17.5	31.5	7.7	19.3	–	30	208	22400.0920
25	M42	50	32.0	–	65	50	26.5	38.5	13.3	21.8	–	36	350	22400.0924

Accessories

	Suitable for size d ₁ [mm]	For finish picture	Pin spacing ±0.1 [mm]	Pin diameter -0.1 [mm]	Square drive [in]	 [g]	Art. No.
adjustable face wrench, offset							
	10/12/16/20/25	2	-	5		309	22350.1991
face wrench (socket wrench insert)							
	16/20	2	30	5	1/2	243	22350.1998
	25	2	36	5	1/2	363	22350.1999

Application example



Compliance

For detailed compliance information please select the desired article number.