

## Grub Screws • DIN 6332 with thrust point EH 22540.



### Product Description

Grub screws are clamping screws that can directly transmit forces via the thrust point. The pressure surface of the thrust point of the steel version is hardened.  
For clamping sensitive surfaces, thrust pads EH 22560. (DIN 6311 and low version) can be attached on the thrust point. The snap ring of the thrust pad achieves a connection between the grub screw and the thrust pad that can be released by hand.  
These grub screws with thrust points are particularly characterised by the additional radius "r" on the thrust point (optimisation compared to DIN 6332), which makes assembly in the thrust pad much easier.  
The thrust point diameter of the grub screws is smaller than the core diameter of the thread, so that they can also be screwed in on the pin side.

### Material

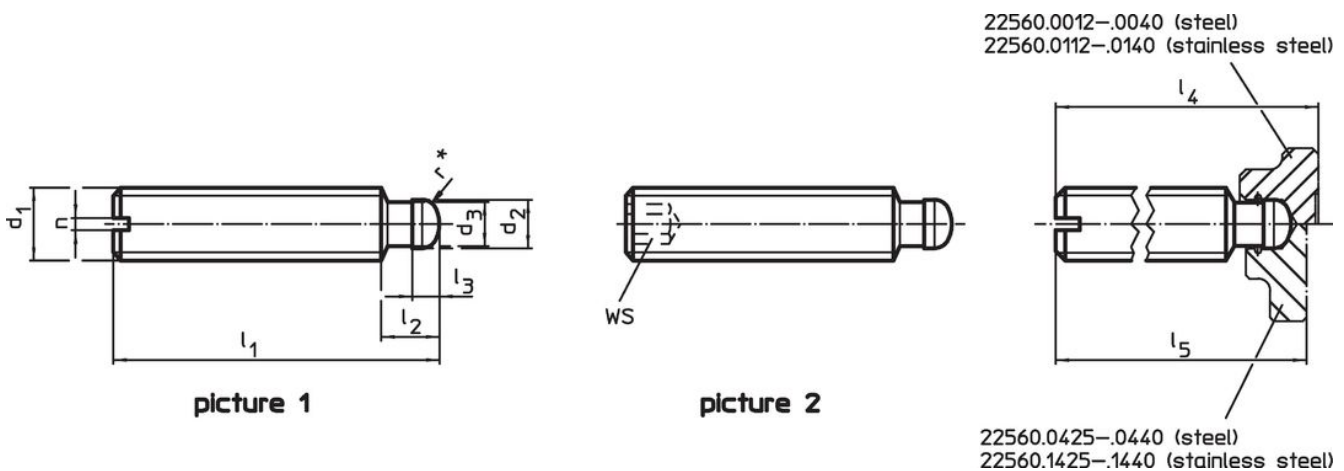
- Steel, blackened, quality 5.8, thrust point hardened
- Stainless steel

### More information

### Further products

- Thrust Pads, DIN 6311 and low model


### Drawing



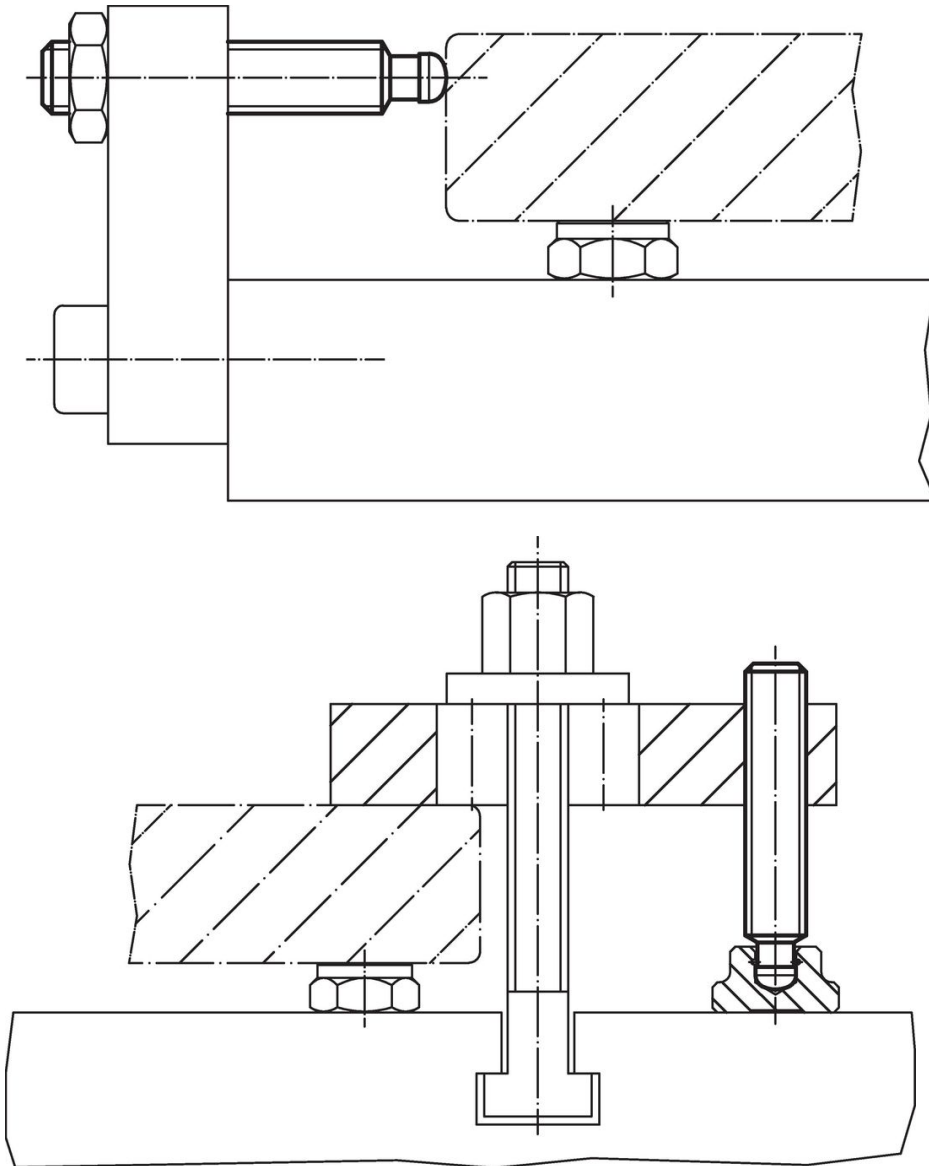
\* to ease assembly the DIN 6332 specification has been completed by r

### Order information

d <sub>1</sub>	l <sub>1</sub>	d <sub>2</sub> h11	d <sub>3</sub>	Dimensions					n	WS [mm]	[g]	Art. No.
				l <sub>2</sub>	l <sub>3</sub>	l <sub>4</sub> ~	l <sub>5</sub> ~	[mm]				
<b>slotted (S) – picture 1, Steel</b>												
M 6	30	4.5	4.0	6.0	2.5	32.1	–	1.0	–	4.5	22540.0061	
M 6	50	4.5	4.0	6.0	2.5	52.1	–	1.0	–	7.8	22540.0062	
M 8	40	6.0	5.4	7.5	3.0	43.0	42.5	1.2	–	11.0	22540.0081	
M 8	60	6.0	5.4	7.5	3.0	63.0	62.5	1.2	–	17.0	22540.0082	
M10	60	8.0	7.2	9.0	4.5	63.6	62.6	1.6	–	27.0	22540.0101	
M10	80	8.0	7.2	9.0	4.5	83.6	82.6	1.6	–	37.0	22540.0102	
M12	60	8.0	7.2	10.0	4.5	64.6	62.6	2.0	–	38.0	22540.0121	
M12	80	8.0	7.2	10.0	4.5	84.6	82.6	2.0	–	51.0	22540.0122	
M12	100	8.0	7.2	10.0	4.5	104.6	102.6	2.0	–	65.0	22540.0123	
M16	80	12.0	11.0	12.0	5.0	85.4	82.9	2.5	–	100.0	22540.0161	
M16	100	12.0	11.0	12.0	5.0	105.4	102.9	2.5	–	124.0	22540.0162	
M16	125	12.0	11.0	12.0	5.0	130.4	127.9	2.5	–	160.0	22540.0163	
M20	100	15.5	14.4	14.0	5.5	105.5	–	3.0	–	190.0	22540.0201	
M20	125	15.5	14.4	14.0	5.5	130.5	–	3.0	–	240.0	22540.0202	
M20	150	15.5	14.4	14.0	5.5	155.5	–	3.0	–	290.0	22540.0203	
<b>slotted (S) – picture 1, Stainless steel</b>												
M 6	30	4.5	4.0	6.0	2.5	32.1	–	1.0	–	4.5	22540.1061	
M 6	50	4.5	4.0	6.0	2.5	52.1	–	1.0	–	7.8	22540.1062	
M 8	40	6.0	5.4	7.5	3.0	43.0	42.5	1.2	–	11.0	22540.1081	

d <sub>1</sub>	l <sub>1</sub>	d <sub>2</sub> h11	d <sub>3</sub>	Dimensions					n	WS [mm]	 [g]	Art. No.
				l <sub>2</sub>	l <sub>3</sub>	l <sub>4</sub> ~	l <sub>5</sub> ~	[mm]				
M 8	60	6.0	5.4	7.5	3.0	63.0	62.5	1.2	–	17.0	22540.1082	
M10	60	8.0	7.2	9.0	4.5	63.6	62.6	1.6	–	27.0	22540.1101	
M10	80	8.0	7.2	9.0	4.5	83.6	82.6	1.6	–	37.0	22540.1102	
M12	60	8.0	7.2	10.0	4.5	64.6	62.6	2.0	–	38.0	22540.1121	
M12	80	8.0	7.2	10.0	4.5	84.6	82.6	2.0	–	51.0	22540.1122	
M12	100	8.0	7.2	10.0	4.5	104.6	102.6	2.0	–	65.0	22540.1123	
M16	80	12.0	11.0	12.0	5.0	85.4	82.9	2.5	–	100.0	22540.1161	
M16	100	12.0	11.0	12.0	5.0	105.4	102.9	2.5	–	124.0	22540.1162	
M16	125	12.0	11.0	12.0	5.0	130.4	127.9	2.5	–	160.0	22540.1163	
M20	100	15.5	14.4	14.0	5.5	105.5	–	3.0	–	190.0	22540.1201	
M20	125	15.5	14.4	14.0	5.5	130.5	–	3.0	–	240.0	22540.1202	
M20	150	15.5	14.4	14.0	5.5	155.5	–	3.0	–	290.0	22540.1203	
<b>with internal hexagon (IS) – picture 2, Steel</b>												
M 6	30	4.5	4.0	6.0	2.5	32.1	–	–	3	4.3	22540.0361	
M 6	50	4.5	4.0	6.0	2.5	52.1	–	–	3	7.6	22540.0362	
M 8	40	6.0	5.4	7.5	3.0	43.0	42.5	–	4	11.0	22540.0381	
M 8	60	6.0	5.4	7.5	3.0	63.0	62.5	–	4	17.0	22540.0382	
M10	60	8.0	7.2	9.0	4.5	63.6	62.6	–	5	26.0	22540.0401	
M10	80	8.0	7.2	9.0	4.5	83.6	82.6	–	5	36.0	22540.0402	
M12	60	8.0	7.2	10.0	4.5	64.6	62.6	–	6	36.0	22540.0421	
M12	80	8.0	7.2	10.0	4.5	84.6	82.6	–	6	51.0	22540.0422	
M12	100	8.0	7.2	10.0	4.5	104.6	102.6	–	6	117.0	22540.0423	
M16	80	12.0	11.0	12.0	5.0	85.4	82.9	–	8	91.0	22540.0461	
M16	100	12.0	11.0	12.0	5.0	105.4	102.9	–	8	119.0	22540.0462	
M16	125	12.0	11.0	12.0	5.0	130.4	127.9	–	8	154.0	22540.0463	
M20	100	15.5	14.4	14.0	5.5	105.5	–	–	10	178.0	22540.0501	
M20	125	15.5	14.4	14.0	5.5	130.5	–	–	10	230.0	22540.0502	
M20	150	15.5	14.4	14.0	5.5	155.5	–	–	10	284.0	22540.0503	
<b>with internal hexagon (IS) – picture 2, Stainless steel</b>												
M 6	30	4.5	4.0	6.0	2.5	32.1	–	–	3	4.3	22540.1361	
M 6	50	4.5	4.0	6.0	2.5	52.1	–	–	3	7.6	22540.1362	
M 8	40	6.0	5.4	7.5	3.0	43.0	42.5	–	4	11.0	22540.1381	
M 8	60	6.0	5.4	7.5	3.0	63.0	62.5	–	4	17.0	22540.1382	
M10	60	8.0	7.2	9.0	4.5	63.6	62.6	–	5	26.0	22540.1401	
M10	80	8.0	7.2	9.0	4.5	83.6	82.6	–	5	36.0	22540.1402	
M12	60	8.0	7.2	10.0	4.5	64.6	62.6	–	6	36.0	22540.1421	
M12	80	8.0	7.2	10.0	4.5	84.6	82.6	–	6	51.0	22540.1422	
M12	100	8.0	7.2	10.0	4.5	104.6	102.6	–	6	117.0	22540.1423	
M16	80	12.0	11.0	12.0	5.0	85.4	82.9	–	8	91.0	22540.1461	
M16	100	12.0	11.0	12.0	5.0	105.4	102.9	–	8	119.0	22540.1462	
M16	125	12.0	11.0	12.0	5.0	130.4	127.9	–	8	154.0	22540.1463	
M20	100	15.5	14.4	14.0	5.5	105.5	–	–	10	178.0	22540.1501	
M20	125	15.5	14.4	14.0	5.5	130.5	–	–	10	230.0	22540.1502	
M20	150	15.5	14.4	14.0	5.5	155.5	–	–	10	284.0	22540.1503	

Application example



Compliance

For detailed compliance information please select the desired article number.