

Thrust Pads • DIN 6311 and low model

EH 22560.



Product Description

Combinable with grub screws DIN 6332 with thrust point EH 22540.

Material

- Steel, case-hardened, blackened. Snap ring inlaid.
- Stainless steel

Assembly

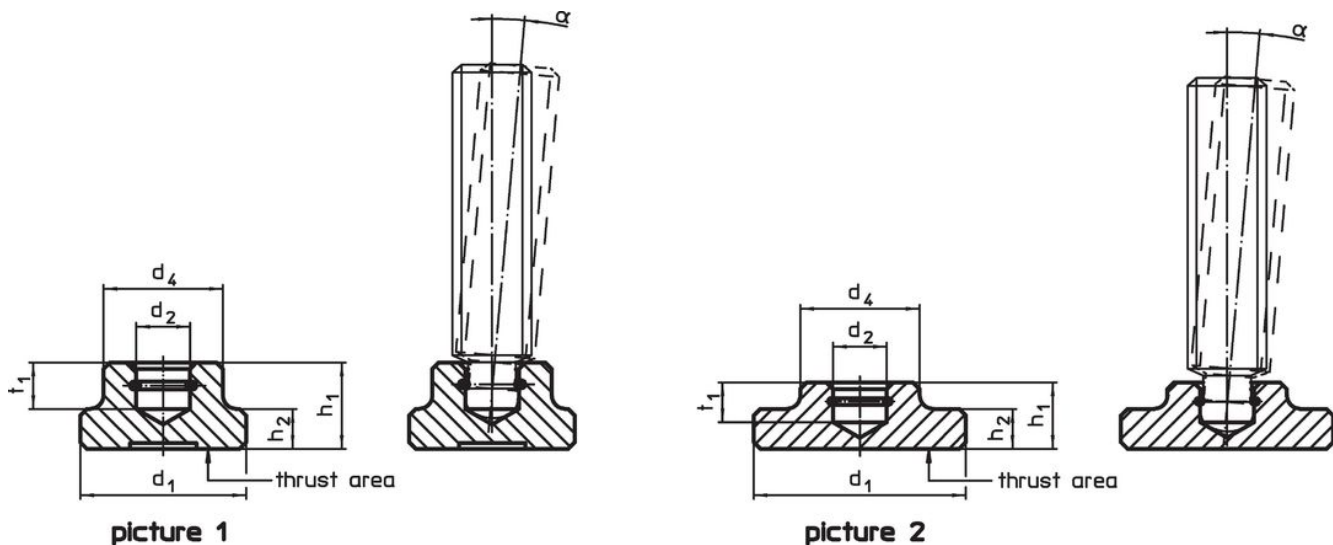
The thrust pad is to be held the way the spring retainer lies in the recess with its open side at the bottom. The grub screw is inclined as far as possible in the direction of the open side of the ring and pressed in.

More information

Further products


- Grub Screws, DIN 6332 with thrust point

Drawing

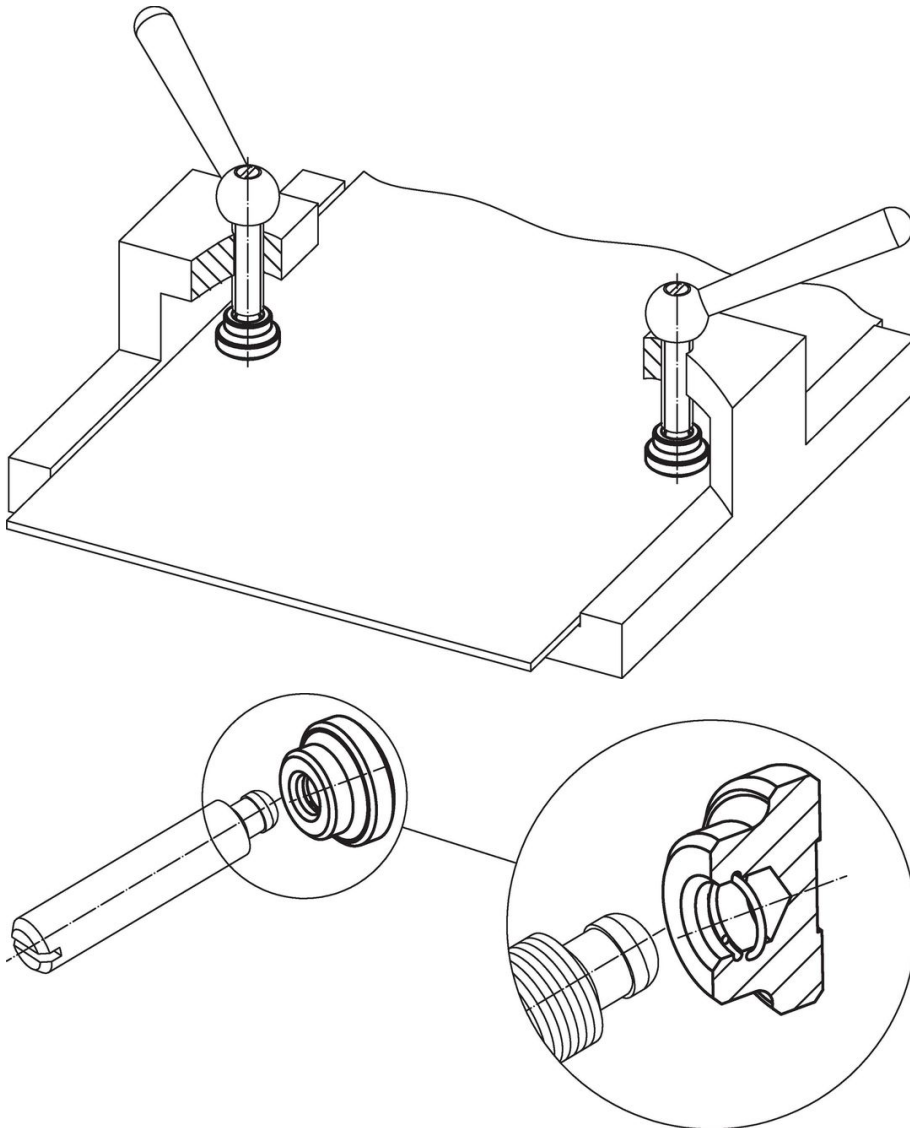


Order information

d ₁	d ₂ H12	Dimensions				t ₁	For grub screws with thrust point DIN 6332 [mm]	α min.	[g]	Art. No.
		d ₄	h ₁	h ₂	[mm]					
DIN 6311 with snap ring, form S – picture 1, Steel										
12	4.6	10	7	2.5	4.0	M 6	7°	4.3	22560.0012	
16	6.1	12	9	4.0	5.0	M 8	4°	9.4	22560.0016	
20	8.1	15	11	5.0	6.0	M10	3°	18.0	22560.0020	
25	8.1	18	13	6.0	7.0	M12	3°	33.0	22560.0025	
32	12.1	22	15	7.0	7.5	M16	5°	58.0	22560.0032	
40	15.6	28	16	9.0	8.0	M20	4°	105.0	22560.0040	
DIN 6311 with snap ring, form S – picture 1, Stainless steel										
12	4.6	10	7	2.5	4.0	M 6	7°	4.3	22560.0112	
16	6.1	12	9	4.0	5.0	M 8	4°	9.4	22560.0116	
20	8.1	15	11	5.0	6.0	M10	3°	18.0	22560.0120	
25	8.1	18	13	6.0	7.0	M12	3°	33.0	22560.0125	
32	12.1	22	15	7.0	7.5	M16	5°	58.0	22560.0132	
40	15.6	28	16	9.0	8.0	M20	4°	105.0	22560.0140	
low model, with increased thrust area and spring retainer – picture 2, Steel										
25	6.1	12	8	4.0	4.5	M 8	4°	18.0	22560.0425	
32	8.1	18	10	6.0	6.0	M10/M12	3°	43.0	22560.0432	
40	12.1	22	12	7.0	7.0	M16	5°	75.0	22560.0440	

d ₁	d ₂ H12	Dimensions				For grub screws with thrust point DIN 6332 [mm]	α min.	 [g]	Art. No.
		d ₄	h ₁	h ₂	t ₁				
low model, with increased thrust area and spring retainer – picture 2, Stainless steel									
25	6.1	12	8	4.0	4.5	M 8	4°	18.0	22560.1425
32	8.1	18	10	6.0	6.0	M10/M12	3°	43.0	22560.1432
40	12.1	22	12	7.0	7.0	M16	5°	75.0	22560.1440

Application example



Compliance

For detailed compliance information please select the desired article number.