

Oil-Sight Glasses

EH 22860.



Product Description

Oil-sight glasses can be used for level control in tanks without excess pressure.

Material

Seal ring

- Resistant to oil and gasoline

Reflector

- Plastic, white

Ring nut

- Aluminium Al

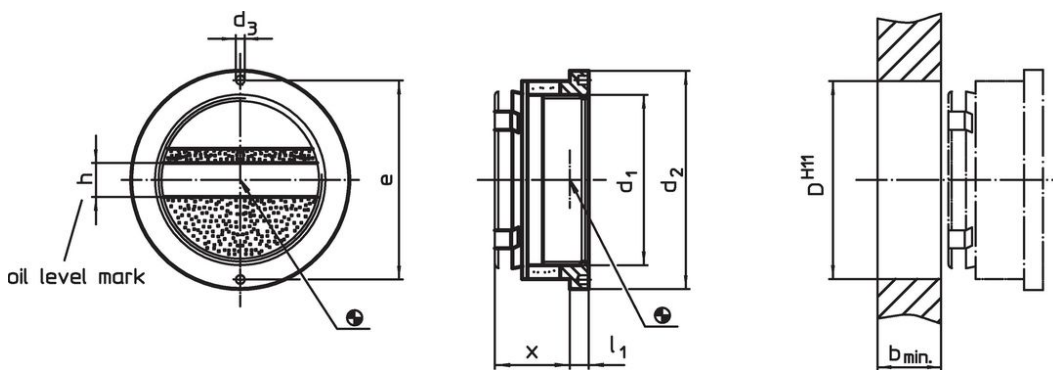
Oil-sight glass

- Plexiglass (PMMA) clear

Assembly

Can be fitted without thread in H11 borehole.
Sealing by simply tightening the ring nut.


Drawing



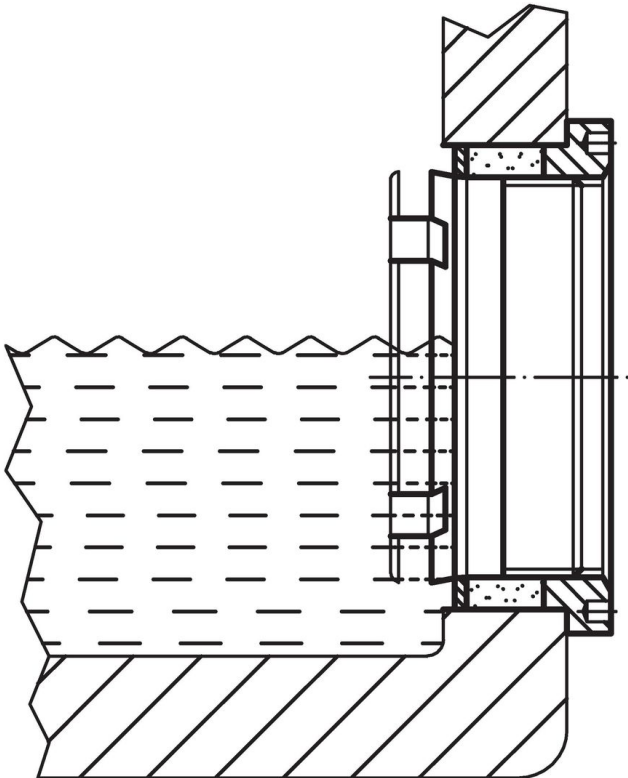
Order information

Size (sight opening) d ₁	Dimensions							Location hole D H11 [mm]	Temperature		Weight [g]	Art. No.
	d ₂	d ₃	x ~ [mm]	l ₁	b min.	h	e		min.	max. [°C]		
without oil level mark												
16	25	2.2	15	3.5	9	–	21.0	20	-20	70	9.1	22860.0016
22	35	3.0	15	4.5	10	–	30.0	28	-20	70	18.0	22860.0022
32	45	3.0	18	5.5	12	–	40.0	38	-20	70	34.0	22860.0032
50	64	3.0	22	5.5	14	–	58.5	58	-20	70	87.0	22860.0050
with oil level mark												
16	25	2.2	15	3.5	9	5	21.0	20	-20	70	9.2	22860.0116
22	35	3.0	15	4.5	10	6	30.0	28	-20	70	18.0	22860.0122
32	45	3.0	18	5.5	12	8	40.0	38	-20	70	33.0	22860.0132
50	64	3.0	22	5.5	14	10	58.5	58	-20	70	85.0	22860.0150

Accessories

	Size (sight opening) d ₁	Dimensions		[g]	Art. No.
		d h9 [mm]	e		
assembly tool					
	16	2.0	21.0	16	22860.0816
	22	2.8	30.0	30	22860.0822
	32	2.8	40.0	36	22860.0832
	50	2.8	58.5	49	22860.0850

Application example



Compliance

For detailed compliance information please select the desired article number.