

## Clamps · slotted, with adjustable counter piece, with T-bolt EH 23185.



### Product Description

The thrust pad and the counter element are connected with the clamp and therefore secured against loss. Consequently, the clamp is quickly ready for use. The clamp is equipped with two flat noses and can be turned around depending on the case of application.

### Material

#### Screw

- Heat-treated steel

#### Nut

- Heat-treated steel

#### Disc

- Heat-treated steel

#### Clamp

- Steel, tempered, zinc-plated by galvanization

### More information

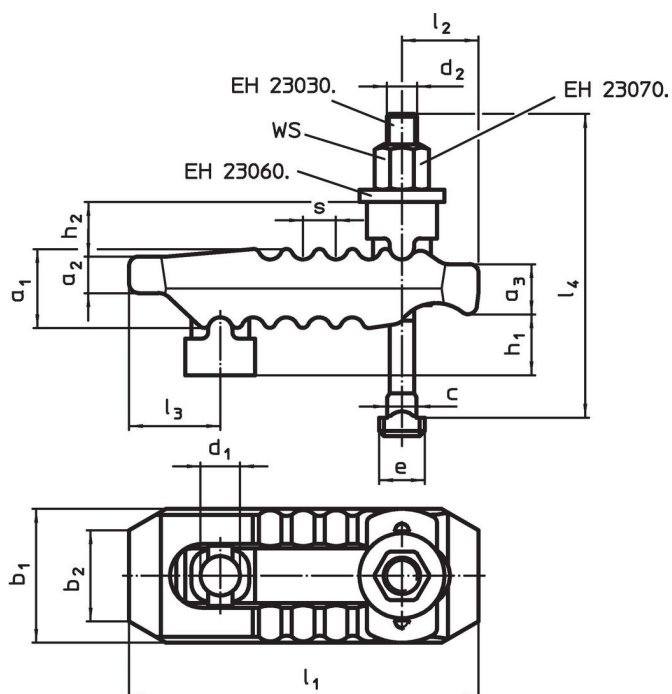
#### References

Larger clamping heights can be reached by the use of a support extension (EH 23185.).

#### Further products

- Support Extensions, for straight clamps, slotted, with adjustable counter piece


### Drawing



### Order information

Nominal dimension d <sub>1</sub> [mm]	T-slot size [mm]	Dimensions															WS	Clamping force <sup>1)</sup> max. [kN]	[g]	Art. No.
		d <sub>2</sub>	l <sub>4</sub>	h <sub>1</sub>	h <sub>2</sub>	a <sub>1</sub>	a <sub>2</sub>	a <sub>3</sub>	b <sub>1</sub>	b <sub>2</sub>	l <sub>1</sub>	l <sub>2</sub>	l <sub>3</sub>	e	c	s				
13	10	M10	100	0 – 40	18	27	12	17	44	30	115	25	30	15	9.6	11	16	25	660	23185.0110
13	12	M12	125	0 – 55	18	27	12	17	44	30	115	25	30	18	11.6	11	18	30	821	23185.0112
13	14	M12	125	0 – 55	18	27	12	17	44	30	115	25	30	18	11.6	11	18	30	841	23185.0113
17	12	M12	160	0 – 70	20	36	17	21	55	41	150	35	36	18	11.6	12	18	35	1683	23185.0114
17	14	M12	160	0 – 70	20	36	17	21	55	41	150	35	36	22	13.6	12	18	35	1701	23185.0115
17	16	M16	160	0 – 70	20	36	17	21	55	41	150	35	36	25	15.6	12	24	40	1850	23185.0116
17	18	M16	160	0 – 70	20	36	17	21	55	41	150	35	36	25	17.6	12	24	40	1895	23185.0117
21	16	M16	200	0 – 80	30	42	20	27	62	30	187	44	44	25	15.6	14	24	55	2679	23185.0118
21	18	M16	200	0 – 80	30	42	20	27	62	30	187	44	44	25	17.6	14	24	55	2703	23185.0119

<sup>1)</sup> stated clamping forces in optimal clamping position (smallest distance of the socket head screw to the clamping position). Clamping forces can vary depending on clamping, strength class of the socket head screw and condition of the thread (lubrication).

Nominal dimension d <sub>1</sub> [mm]	T- slot size [mm]	Dimensions															WS [mm]	Clamping force <sup>1)</sup> max. [kN]	 [g]	Art. No.
		d <sub>2</sub>	l <sub>4</sub>	h <sub>1</sub>	h <sub>2</sub>	a <sub>1</sub>	a <sub>2</sub>	a <sub>3</sub>	b <sub>1</sub>	b <sub>2</sub>	l <sub>1</sub>	l <sub>2</sub>	l <sub>3</sub>	e	c	s				
[mm]																	[mm]	[kN]	[g]	
21	20	M20	200	0 – 80	30	42	20	27	62	30	187	44	44	32	19.6	14	30	60	2780	<a href="#">23185.0120</a>
21	22	M20	200	0 – 80	30	42	20	27	62	30	187	44	44	32	21.6	14	30	60	3005	<a href="#">23185.0121</a>
25	20	M20	250	0 – 100	31	51	24	34	70	30	235	60	47	32	19.6	17	30	70	4420	<a href="#">23185.0122</a>
25	22	M20	250	0 – 100	31	51	24	34	70	30	235	60	47	32	21.6	17	30	70	4460	<a href="#">23185.0123</a>
25	24	M24	250	0 – 100	31	51	24	34	70	30	235	60	47	44	23.6	17	36	75	4900	<a href="#">23185.0124</a>
25	28	M24	250	0 – 100	31	51	24	34	70	30	235	60	47	44	27.7	17	36	75	5000	<a href="#">23185.0125</a>

<sup>1)</sup> stated clamping forces in optimal clamping position (smallest distance of the socket head screw to the clamping position). Clamping forces can vary depending on clamping, strength class of the socket head screw and condition of the thread (lubrication).

## Compliance

### RoHS compliant

Compliant according to Directive 2011/65/EU and Directive 2015/863.

### Does not contain SVHC substances

No SVHC substances with more than 0.1% w/w contained - SVHC list [REACH] as of 27.06.2024.

### Does not contain Proposition 65 substances

No Proposition 65 substances included.

<https://www.P65Warnings.ca.gov/>

### Free from Conflict Minerals

This product does not contain any substances designated as "conflict minerals" such as tantalum, tin, gold or tungsten from the Democratic Republic of Congo or adjacent countries.