

## Clamping Devices Actima

EH 23260.



### Product Description

The compact clamping element can be converted between pull and push clamping strain, depending on the model. The travel path is 10 mm. Within the short clamp travel of 2 mm, self-locking occurs in any position. The maximum permitted clamping force is 4.9 kN.

### Material

#### Housing

- Thermoplastic, black

#### Body

- Steel, blackened

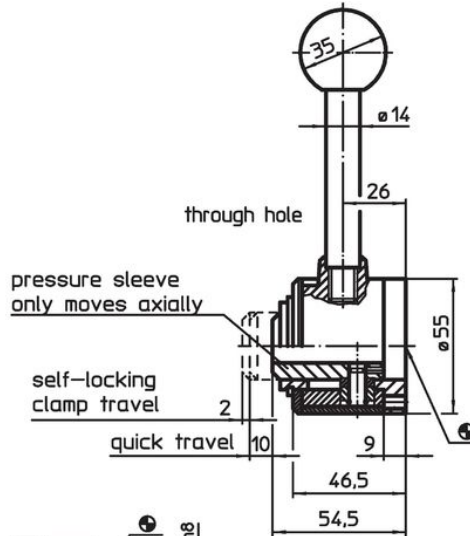
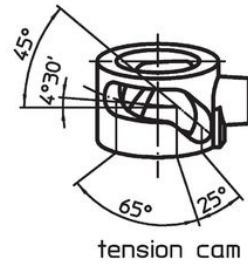
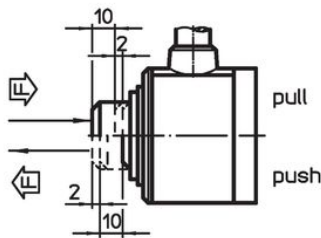
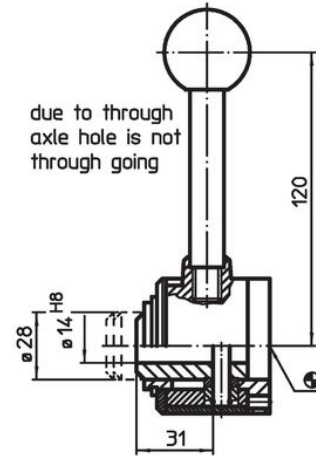
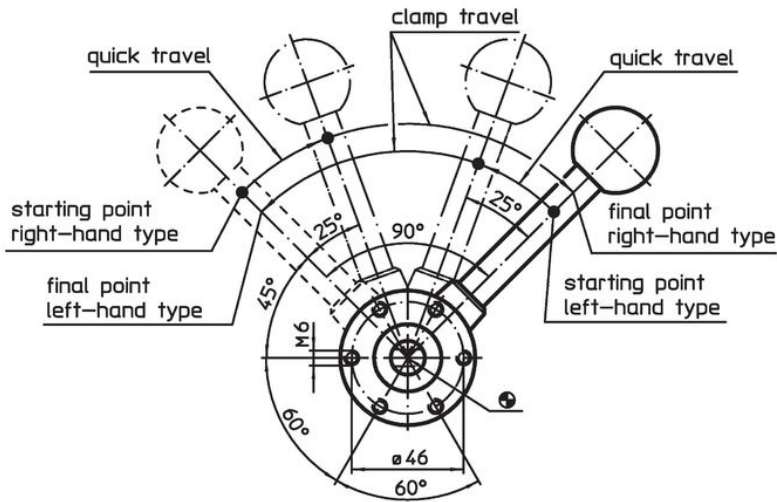
#### Ball knob

- Thermosetting plastic PF 31, red similar to RAL 3003

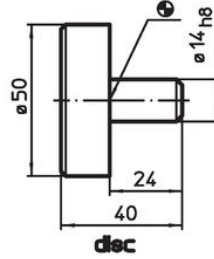
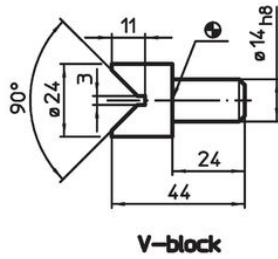
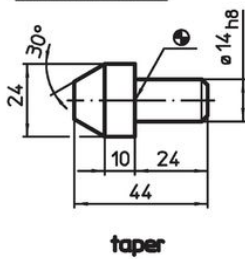
#### Accessories

- Steel, blackened


Drawing







accessories



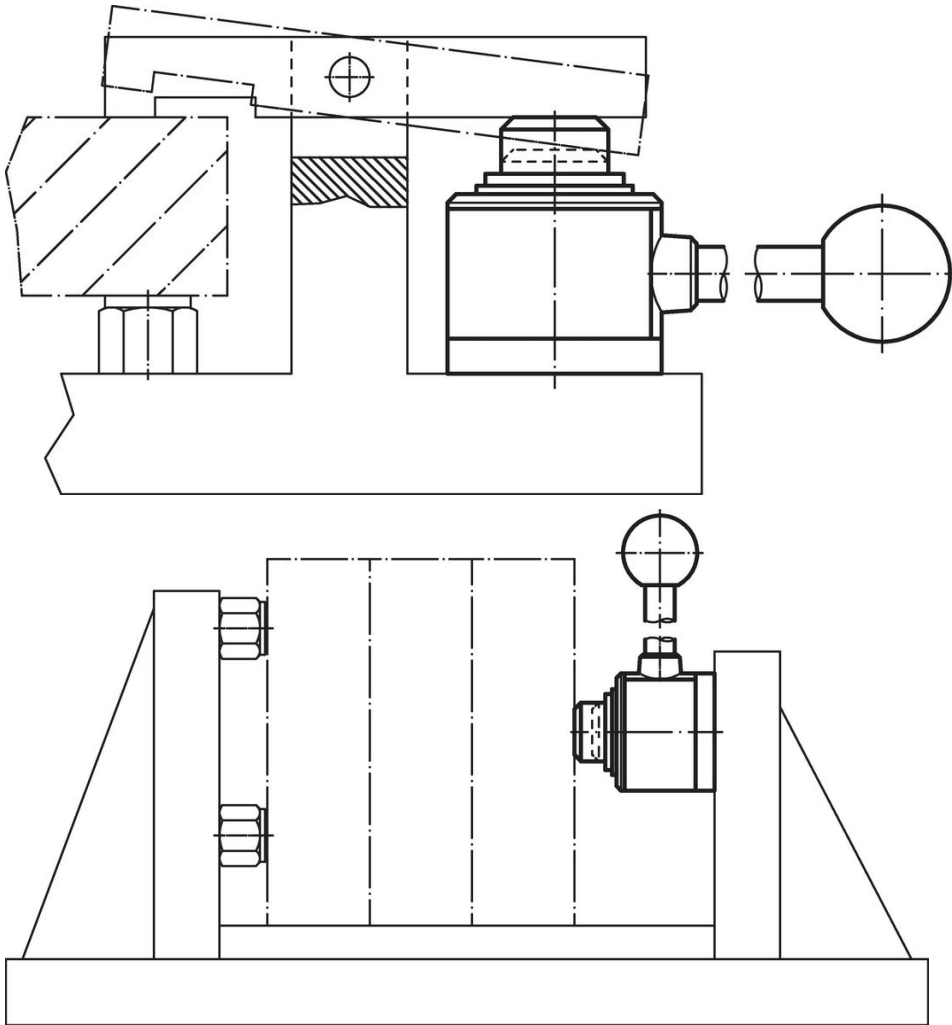
Order information

Travel path [mm]	s Clamping way [mm]	Clamping force max. [kN]	 [g]	Art. No.
<b>pull to right, with transverse axis in the bore</b>				
10	2	4.9	751	<a href="#">23260.0003</a>
<b>pull to left, with transverse axis in the bore</b>				
10	2	4.9	749	<a href="#">23260.0005</a>
<b>pull to right, with throughgoing bore</b>				
10	2	4.9	751	<a href="#">23260.0013</a>
<b>pull to left, with throughgoing bore</b>				
10	2	4.9	749	<a href="#">23260.0015</a>
<b>push to right, with transverse axis in the bore</b>				
10	2	4.9	751	<a href="#">23260.0002</a>
<b>push to left, with transverse axis in the bore</b>				
10	2	4.9	749	<a href="#">23260.0004</a>
<b>push to right, with throughgoing bore</b>				
10	2	4.9	751	<a href="#">23260.0012</a>
<b>push to left, with throughgoing bore</b>				
10	2	4.9	749	<a href="#">23260.0014</a>

Accessories

	 [g]	Art. No.
<b>Disc</b>		
	270	<a href="#">23260.0042</a>
<b>taper</b>		
	85	<a href="#">23260.0044</a>
<b>V-block</b>		
	82	<a href="#">23260.0046</a>

Application example



Compliance

For detailed compliance information please select the desired article number.