

Eccentric Clamping Washers

EH 23270.



Product Description

The eccentric clamping washers are especially suitable for the clamping of raw parts, e.g. cut-off portions, cast iron parts and forgings.

Material

Eccentric screw

- Steel

Body

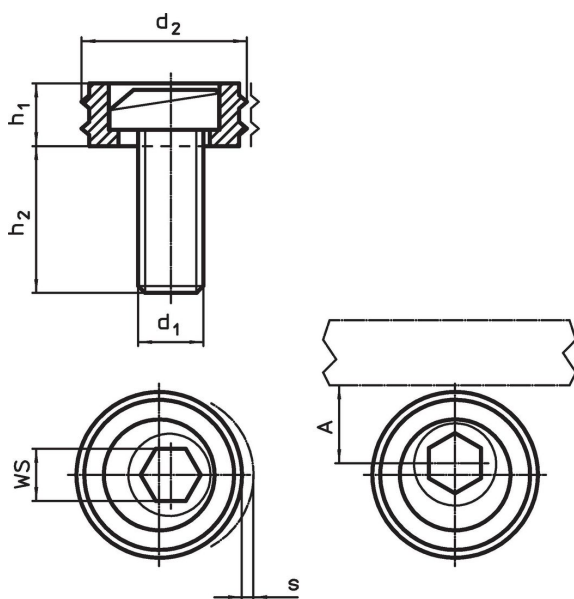
- Steel, case-hardened

More information

Notes

The head of the eccentric screw can slightly protrude from the body (h_1).

Drawing



Order information

d ₁	d ₂	Dimensions			A	WS	Clamping force max. [kN]	Tightening torque max. [Nm]	[g]	Art. No.
		h ₁	h ₂	s						
		[mm]			[mm]	[mm]				
M10	20.6	6.4	16.0	1.6	10.3	7	9.0	26	23	23270.0210
M12	25.4	9.6	22.5	2.0	12.7	8	17.8	88	41	23270.0212
M16	30.1	12.7	26.8	2.5	15.0	12	26.7	135	92	23270.0216

Application example

