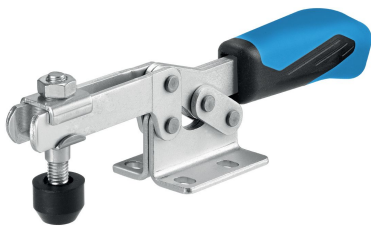


## Horizontal Toggle Clamps · with horizontal base

EH 23330.



### Product Description

Due to their favourable power to movement ratio and their easy action the toggle clamps are versatile applicable for a wide range of uses.

These toggle clamps can be used in the metal working industry when drilling, welding, bending, grinding, testing and fitting as well as in the wood and plastic industry in glueing, drilling, cutting and milling jigs.

The "toggle" principle of the toggle clamp allows a large and quick opening of the clamp. If unclamped the workpieces are completely cleared for unimpeded removal. The large power transmission results maximum clamping force by low hand force. The clamps are self-arresting they remain locked, resisting the force produced when machining components.

The toggle clamps are manufactured from high quality components and are designed for continuous use.

A oil resistant ergonomic 2-component handle, with increased grip area with soft surface for high ease of use.

The quickly adjustable clamping screws are provided by a retainer.

### Material

#### Clamp

- Steel, zinc-plated by galvanization, passivated
- Stainless steel

#### Rivet

- Stainless steel
- Steel

#### Handle

- plastic

#### Clamping screw

- Steel, tempered, zinc-plated by galvanization
- Stainless Steel

#### Clamping cap

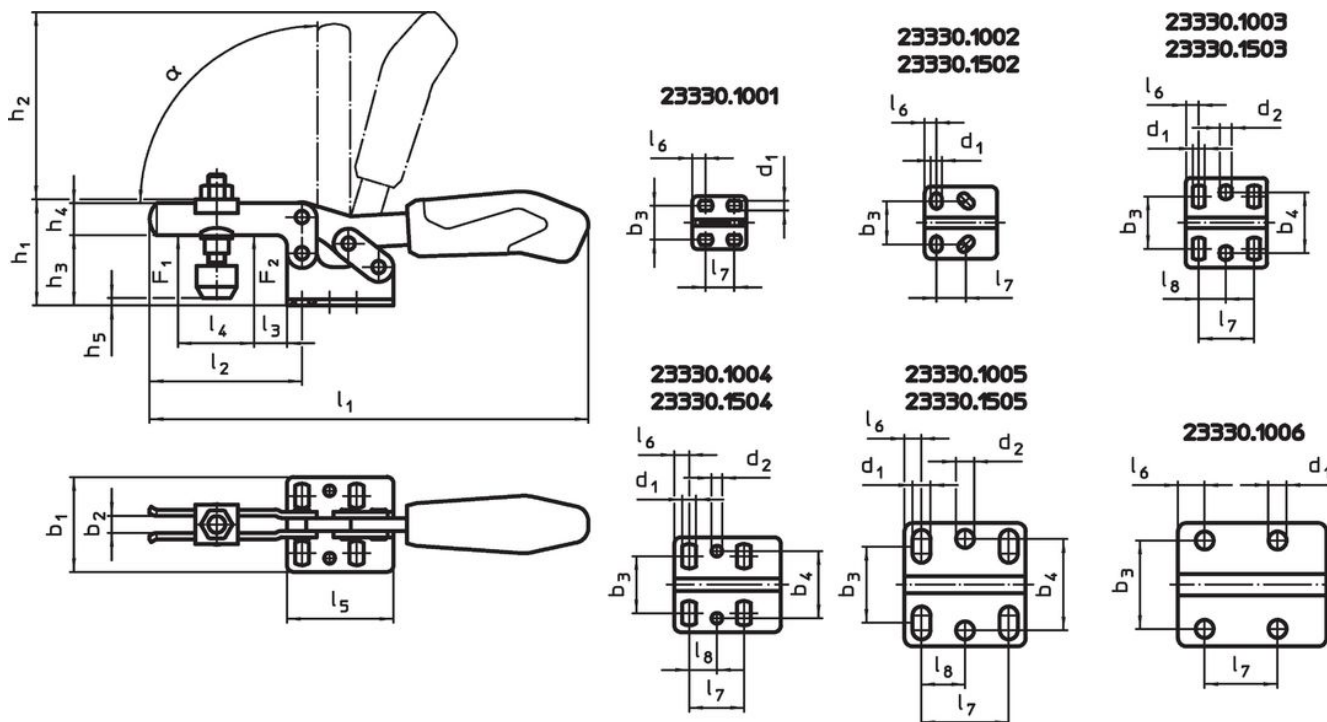
- Rubber, black

### More information

#### References

Replacement clamping screws are available as accessories in the online shop.




### Drawing



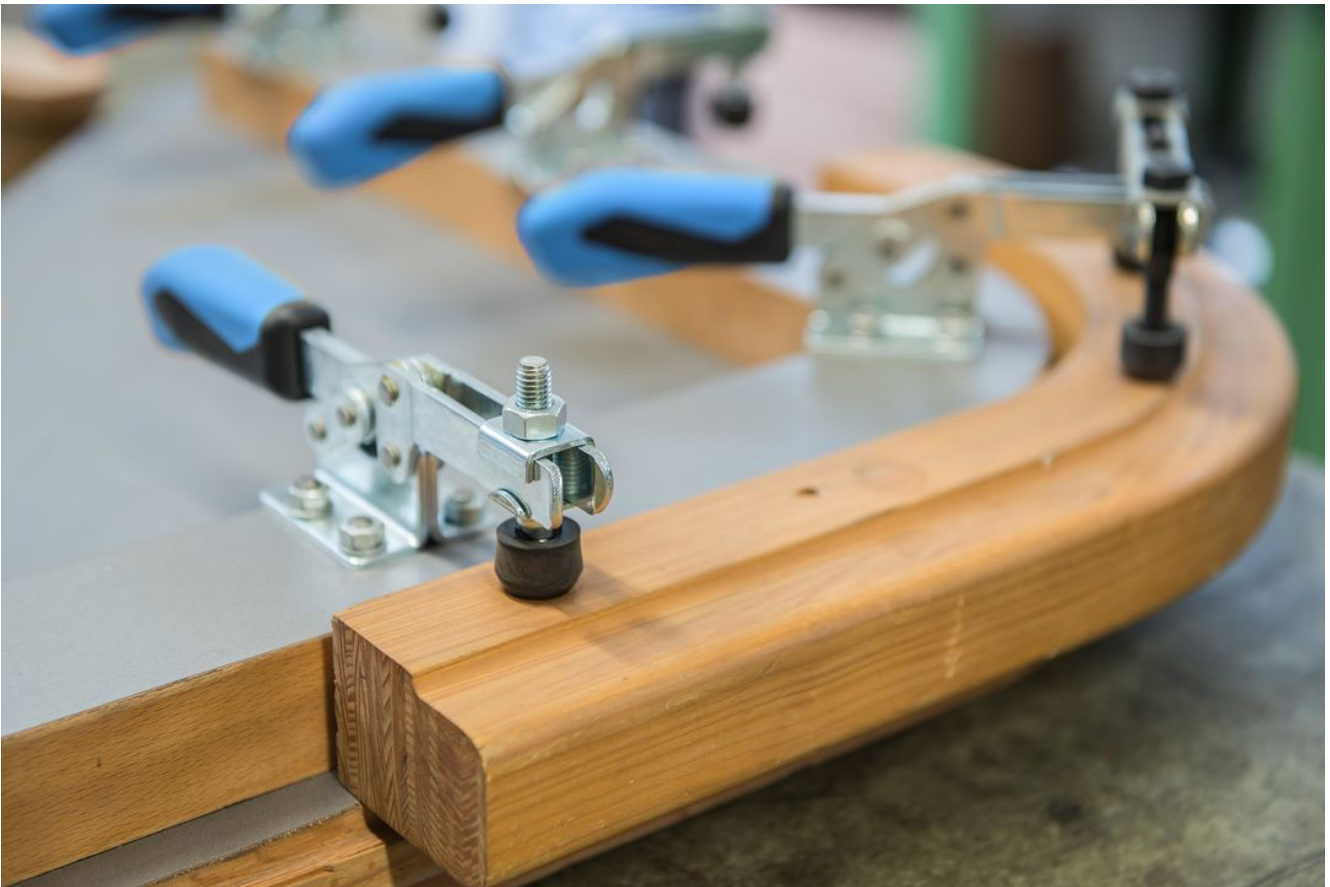
Order information

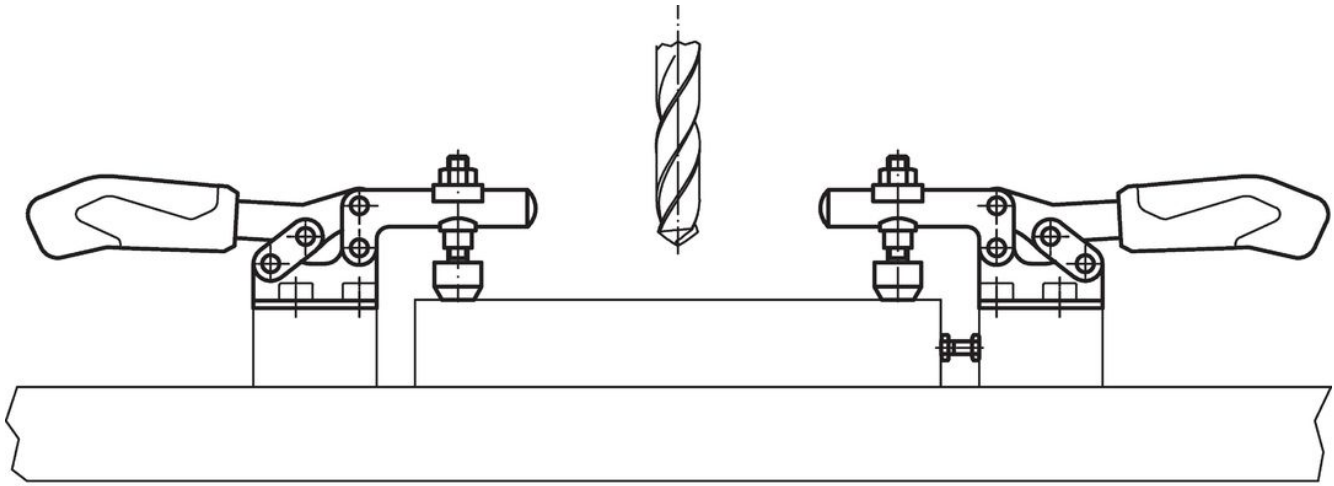
Nomina size	Clamping screw [mm]	Dimensions [mm]																		Holding force F <sub>1</sub> F <sub>2</sub> [kN]		α	minmax [°C]		Art. No.			
		d <sub>1</sub>	d <sub>2</sub>	b <sub>1</sub>	b <sub>2</sub>	b <sub>3</sub>	b <sub>4</sub>	h <sub>1</sub>	h <sub>2</sub>	h <sub>3</sub>	h <sub>4</sub>	h <sub>5</sub> min.	h <sub>5</sub> max.	l <sub>1</sub>	l <sub>2</sub>	l <sub>3</sub>	l <sub>4</sub>	l <sub>5</sub>	l <sub>6</sub>	l <sub>7</sub>	l <sub>8</sub>							
<b>Steel</b>																												
1	M 4 x 25	4.6	-	25.0	4	16.0	-	23.0	34	14.5	7.5	-5.5	0.0	79	28	5.5	9.0	25.5	6.3	11.5 - 15.5	-	0.25	0.4	90°	-10	80	38	23330.1001
2	M 5 x 30	5.2	-	34.0	5	18.0 - 21.5	-	30.0	49	19.0	10.0	-3.0	2.5	120	42	8.0	18.7	34.0	5.5	13.0 - 14.5	-	0.80	1.1	90°	-10	80	112	23330.1002
3	M 6 x 35	5.6	5.6	42.0	6	19.5 - 29.5	28.5	45.0	68	24.0	13.2	-1.5	5.0	162	64	16.0	32.0	38.0	6.0	26.0	12.7	1.00	1.2	90°	-10	80	190	23330.1003
4	M 8 x 45	6.5	5.1	45.5	8	22.0 - 31.8	31.6	48.5	86	32.0	15.0	-2.0	9.0	206	73	14.0	38.0	50.0	7.0	25.7	13.0	1.80	2.5	90°	-10	80	337	23330.1004
5	M 8 x 65	8.5	8.5	58.0	10	29.0 - 43.0	43.0	75.0	126	45.0	20.0	-4.0	24.0	287	113	27.0	63.0	57.0	8.0	41.0	20.5	2.00	3.0	90°	-10	80	726	23330.1005
6	M12 x 80	8.5	-	58.0	10	41.5	-	73.0	128	46.0	25.0	1.7	25.0	321	123	16.0	78.0	77.0	12.5	41.5	-	3.00	5.0	90°	-10	80	1112	23330.1006
<b>Stainless steel</b>																												
2	M 5 x 30	5.2	-	34.0	5	18.0 - 21.5	-	30.0	49	19.0	10.0	-3.0	2.5	120	42	8.0	18.7	34.0	5.5	13.0 - 14.5	-	0.80	1.1	90°	-10	80	113	23330.1502
3	M 6 x 35	5.6	5.6	42.0	6	19.5 - 29.5	28.5	45.0	68	24.0	13.2	-1.5	5.0	162	64	16.0	32.0	38.0	6.0	26.0	12.7	1.00	1.2	90°	-10	80	189	23330.1503
4	M 8 x 45	6.5	5.1	45.5	8	22.0 - 31.8	31.6	48.5	86	32.0	15.0	-2.0	9.0	206	73	14.0	38.0	50.0	7.0	25.7	13.0	1.80	2.5	90°	-10	80	341	23330.1504
5	M 8 x 65	8.5	8.5	58.0	10	29.0 - 43.0	43.0	75.0	126	45.0	20.0	-4.0	24.0	287	113	27.0	63.0	57.0	8.0	41.0	20.5	2.00	3.0	90°	-10	80	744	23330.1505

Accessories

	Dimensions d <sub>2</sub> [mm]	 [g]	Art. No.
<b>Clamping screw (spare part of toggle clamp), Steel</b>			
	M 4 x 25	6.2	<a href="#">23330.9001</a>
	M 5 x 30	11.0	<a href="#">23330.9002</a>
	M 6 x 35	16.0	<a href="#">23330.9003</a>
	M 8 x 45	38.0	<a href="#">23330.9005</a>
	M 8 x 65	57.0	<a href="#">23330.9006</a>
	M12 x 80	147.0	<a href="#">23330.9007</a>
<b>Clamping screw (spare part of toggle clamp), Stainless Steel</b>			
	M 5 x 30	11.0	<a href="#">23330.9502</a>
	M 6 x 35	16.0	<a href="#">23330.9503</a>
	M 8 x 45	38.0	<a href="#">23330.9504</a>
	M 8 x 65	57.0	<a href="#">23330.9505</a>

Application example





### Compliance

For detailed compliance information please select the desired article number.