

## Ball Knobs • DIN 319

EH 24560.



### Product Description

The DIN 319 ball knobs are jointless and polished.

### Material

#### Bushing

- Steel, zinc-plated by galvanization
- Brass

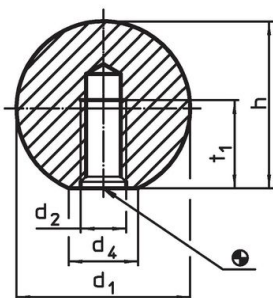
#### Ball

- Thermosetting plastic PF 31, black similar to RAL 9005
- Thermosetting plastic PF 31, red similar to RAL 3003

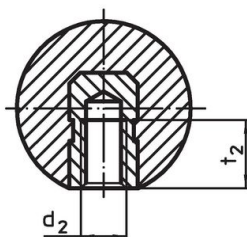
### Assembly

**Assembly instruction for form M:** Fitted by lightly tapping with a hammer, holds in position without being cemented. For the counter element a h9-fit is sufficient.

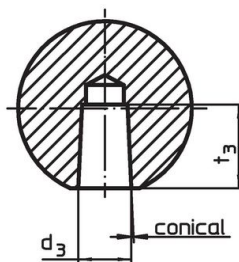
### Drawing



picture 1



picture 2



picture 3

### Order information

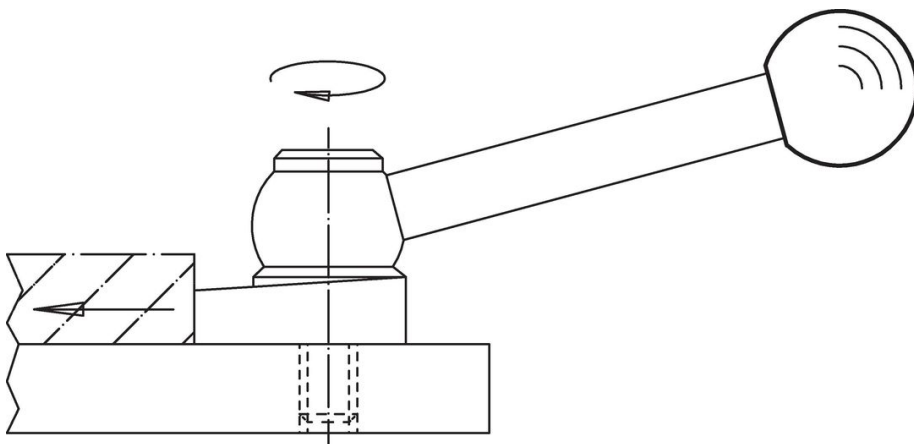
Dimensions								For pin h9	max. °C	g	Art. No.
d <sub>1</sub>	d <sub>2</sub>	d <sub>3</sub>	d <sub>4</sub> ~	h ~	t <sub>1</sub> min.	t <sub>2</sub> min.	t <sub>3</sub> min.				
<b>with moulded material thread, form C – picture 1, black</b>											
16	M 4	–	8	15.0	7	–	–	–	110	3.2	<a href="#">24560.0016</a>
20	M 5	–	12	18.0	9	–	–	–	110	5.2	<a href="#">24560.0020</a>
25	M 6	–	15	22.5	11	–	–	–	110	10.0	<a href="#">24560.0025</a>
32	M 8	–	18	29.0	14	–	–	–	110	22.0	<a href="#">24560.0032</a>
40	M10	–	22	37.0	18	–	–	–	110	42.0	<a href="#">24560.0040</a>
50	M12	–	28	46.0	21	–	–	–	110	86.0	<a href="#">24560.0050</a>
<b>with threaded bushing, form E – picture 2, black</b>											
16	M 4	–	8	15.0	–	6.0	–	–	110	3.9	<a href="#">24560.0116<sup>1)</sup></a>
20	M 5	–	12	18.0	–	7.5	–	–	110	8.0	<a href="#">24560.0120</a>
25	M 6	–	15	22.5	–	9.0	–	–	110	14.0	<a href="#">24560.0125</a>
32	M 8	–	18	29.0	–	12.0	–	–	110	26.0	<a href="#">24560.0132</a>
40	M10	–	22	37.0	–	15.0	–	–	110	56.0	<a href="#">24560.0140</a>
50	M12	–	28	46.0	–	18.0	–	–	110	108.0	<a href="#">24560.0150</a>
<b>with moulded material thread, form C – picture 1, red</b>											
16	M 4	–	8	15.0	7	–	–	–	110	3.2	<a href="#">24560.0516</a>
20	M 5	–	12	18.0	9	–	–	–	110	5.2	<a href="#">24560.0520</a>
25	M 6	–	15	22.5	11	–	–	–	110	10.0	<a href="#">24560.0525</a>
32	M 8	–	18	29.0	14	–	–	–	110	22.0	<a href="#">24560.0532</a>
40	M10	–	22	37.0	18	–	–	–	110	42.0	<a href="#">24560.0540</a>
50	M12	–	28	46.0	21	–	–	–	110	86.0	<a href="#">24560.0550</a>

<sup>1)</sup> bushing from brass

Dimensions								For pin h9	🌡️ max.	📦 [g]	Art. No.
d <sub>1</sub>	d <sub>2</sub>	d <sub>3</sub>	d <sub>4</sub> ~	h ~ [mm]	t <sub>1</sub> min.	t <sub>2</sub> min.	t <sub>3</sub> min.				
<b>with threaded bushing, form E – picture 2, red</b>											
16	M 4	–	8	15.0	–	6.0	–	–	110	3.9	24560.0616 <sup>1)</sup>
20	M 5	–	12	18.0	–	7.5	–	–	110	8.0	24560.0620
25	M 6	–	15	22.5	–	9.0	–	–	110	14.0	24560.0625
32	M 8	–	18	29.0	–	12.0	–	–	110	26.0	24560.0632
40	M10	–	22	37.0	–	15.0	–	–	110	56.0	24560.0640
50	M12	–	28	46.0	–	18.0	–	–	110	108.0	24560.0650
<b>with taper bore form M – picture 3, black</b>											
16	–	4	8	15.0	–	–	9	4	110	2.7	24560.0216
20	–	5	12	18.0	–	–	12	5	110	5.1	24560.0220
25	–	6	15	22.5	–	–	15	6	110	9.3	24560.0225
32	–	8	18	29.0	–	–	15	8	110	19.0	24560.0232
40	–	10	22	37.0	–	–	20	10	110	39.0	24560.0240
50	–	12	28	46.0	–	–	22	12	110	84.0	24560.0250

<sup>1)</sup> bushing from brass

### Application example



### Compliance

#### RoHS compliant

Compliant according to Directive 2011/65/EU and Directive 2015/863.

#### Does not contain SVHC substances

No SVHC substances with more than 0.1% w/w contained - SVHC list [REACH] as of 27.06.2024.

#### Does not contain Proposition 65 substances

No Proposition 65 substances included.

<https://www.P65Warnings.ca.gov/>

#### Free from Conflict Minerals

This product does not contain any substances designated as "conflict minerals" such as tantalum, tin, gold or tungsten from the Democratic Republic of Congo or adjacent countries.