

Three-Lobed Torque Handles

EH 24711.



Product Description

Torque handles are used wherever a limitation of the exerted hand force is required. The three-lobed torque handle with integrated torque mechanism allows a defined torque limit during tightening. Reaching the torque results in an "over-locking". For releasing the torque is transmitted indefinitely. These handles combine the functionality of a ratchet wrench with the modern and ergonomic design of a three-lobed handle.

Material

Cap

- Plastic, light grey

Torque mechanism

- Steel, hardened

Handle

- Thermoplastic PA-HP, glass fibre reinforced, black, matt

Inner part

- Steel, blackened

Screw

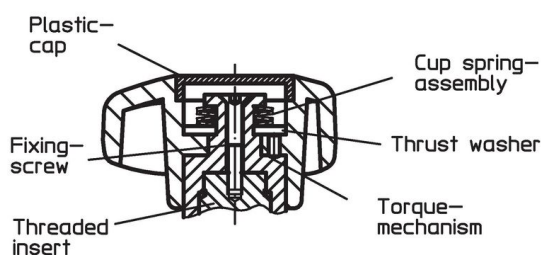
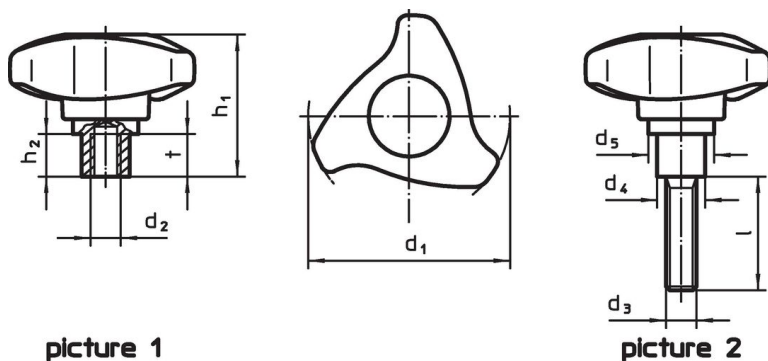
- Steel, blackened

More information

Further products


- Torque Handles


Drawing



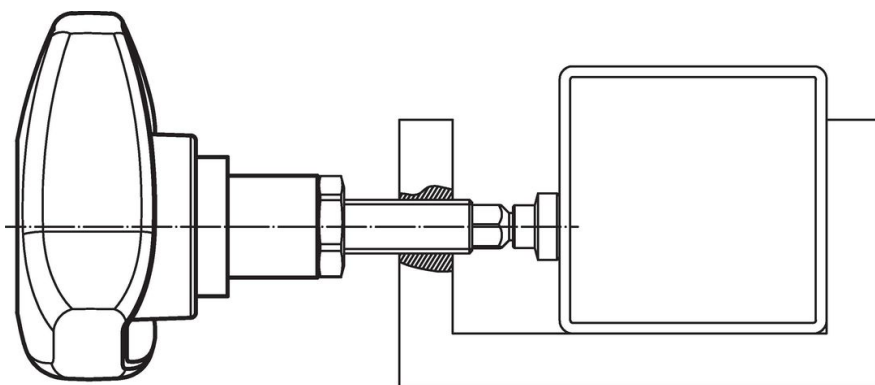
Order information

d ₁	d ₂	d ₃	l	Dimensions			h ₁	h ₂	t	Tightening torque +/- 10% max. [Nm]	[g]	Art. No.
				d ₄	d ₅	[mm]						
with female thread – picture 1												
50	M 6	–	–	13.5	23.6	41.6	10.7	11	2.0	65	24711.0020	
50	M 6	–	–	13.5	23.6	41.6	10.7	11	3.0	62	24711.0021	
50	M 6	–	–	13.5	23.6	41.6	10.7	11	4.0	63	24711.0022	
50	M 8	–	–	13.5	23.6	41.6	10.7	11	2.0	60	24711.0023	
50	M 8	–	–	13.5	23.6	41.6	10.7	11	3.0	60	24711.0024	
50	M 8	–	–	13.5	23.6	41.6	10.7	11	4.0	64	24711.0025	
63	M 8	–	–	16.0	28.1	46.6	12.9	14	3.2	104	24711.0030	

d ₁	d ₂	d ₃	l	Dimensions					Tightening torque +/- 10% max. [Nm]	 [g]	Art. No.
				d ₄	d ₅	h ₁	h ₂	t			
[mm]											
63	M 8	–	–	16.0	28.1	46.6	12.9	14	4.0	105	24711.0031
63	M 8	–	–	16.0	28.1	46.6	12.9	14	4.7	107	24711.0032
63	M10	–	–	16.0	28.1	46.6	12.9	14	3.2	103	24711.0033
63	M10	–	–	16.0	28.1	46.6	12.9	14	4.0	102	24711.0034
63	M10	–	–	16.0	28.1	46.6	12.9	14	4.7	105	24711.0035
80	M10	–	–	19.0	34.1	56.2	16.8	17	4.0	172	24711.0040
80	M10	–	–	19.0	34.1	56.2	16.8	17	5.5	173	24711.0041
80	M10	–	–	19.0	34.1	56.2	16.8	17	7.5	174	24711.0042
80	M12	–	–	19.0	34.1	56.2	16.8	17	4.0	180	24711.0043
80	M12	–	–	19.0	34.1	56.2	16.8	17	5.5	168	24711.0044
80	M12	–	–	19.0	34.1	56.2	16.8	17	7.5	171	24711.0045
with screw – picture 2											
50	–	M 8	16	13.5	23.6	41.6	10.7	–	2.0	72	24711.0300
50	–	M 8	16	13.5	23.6	41.6	10.7	–	3.0	75	24711.0301
50	–	M 8	16	13.5	23.6	41.6	10.7	–	4.0	76	24711.0302
50	–	M 8	20	13.5	23.6	41.6	10.7	–	2.0	70	24711.0303
50	–	M 8	20	13.5	23.6	41.6	10.7	–	3.0	73	24711.0304
50	–	M 8	20	13.5	23.6	41.6	10.7	–	4.0	71	24711.0305
50	–	M 8	25	13.5	23.6	41.6	10.7	–	2.0	72	24711.0306
50	–	M 8	25	13.5	23.6	41.6	10.7	–	3.0	72	24711.0307
50	–	M 8	25	13.5	23.6	41.6	10.7	–	4.0	73	24711.0308
50	–	M 8	32	13.5	23.6	41.6	10.7	–	2.0	77	24711.0309
50	–	M 8	32	13.5	23.6	41.6	10.7	–	3.0	74	24711.0310
50	–	M 8	32	13.5	23.6	41.6	10.7	–	4.0	75	24711.0311
50	–	M 8	40	13.5	23.6	41.6	10.7	–	2.0	76	24711.0312
50	–	M 8	40	13.5	23.6	41.6	10.7	–	3.0	76	24711.0313
50	–	M 8	40	13.5	23.6	41.6	10.7	–	4.0	77	24711.0314
50	–	M10	20	13.5	23.6	41.6	10.7	–	2.0	73	24711.0315
50	–	M10	20	13.5	23.6	41.6	10.7	–	3.0	73	24711.0316
50	–	M10	20	13.5	23.6	41.6	10.7	–	4.0	74	24711.0317
50	–	M10	25	13.5	23.6	41.6	10.7	–	2.0	76	24711.0318
50	–	M10	25	13.5	23.6	41.6	10.7	–	3.0	76	24711.0319
50	–	M10	25	13.5	23.6	41.6	10.7	–	4.0	77	24711.0320
50	–	M10	32	13.5	23.6	41.6	10.7	–	2.0	80	24711.0321
50	–	M10	32	13.5	23.6	41.6	10.7	–	3.0	80	24711.0322
50	–	M10	32	13.5	23.6	41.6	10.7	–	4.0	81	24711.0323
50	–	M10	40	13.5	23.6	41.6	10.7	–	2.0	87	24711.0324
50	–	M10	40	13.5	23.6	41.6	10.7	–	3.0	82	24711.0325
50	–	M10	40	13.5	23.6	41.6	10.7	–	4.0	83	24711.0326
50	–	M10	50	13.5	23.6	41.6	10.7	–	2.0	87	24711.0327
50	–	M10	50	13.5	23.6	41.6	10.7	–	3.0	87	24711.0328
50	–	M10	50	13.5	23.6	41.6	10.7	–	4.0	88	24711.0329
63	–	M 8	25	16.0	28.1	46.6	12.9	–	3.2	116	24711.0400
63	–	M 8	25	16.0	28.1	46.6	12.9	–	4.0	117	24711.0401
63	–	M 8	25	16.0	28.1	46.6	12.9	–	4.7	118	24711.0402
63	–	M 8	32	16.0	28.1	46.6	12.9	–	3.2	119	24711.0403
63	–	M 8	32	16.0	28.1	46.6	12.9	–	4.0	120	24711.0404
63	–	M 8	32	16.0	28.1	46.6	12.9	–	4.7	121	24711.0405
63	–	M 8	40	16.0	28.1	46.6	12.9	–	3.2	82	24711.0406
63	–	M 8	40	16.0	28.1	46.6	12.9	–	4.0	83	24711.0407
63	–	M 8	40	16.0	28.1	46.6	12.9	–	4.7	83	24711.0408
63	–	M 8	50	16.0	28.1	46.6	12.9	–	3.2	128	24711.0409
63	–	M 8	50	16.0	28.1	46.6	12.9	–	4.0	127	24711.0410
63	–	M 8	50	16.0	28.1	46.6	12.9	–	4.7	128	24711.0411
63	–	M 8	63	16.0	28.1	46.6	12.9	–	3.2	130	24711.0412
63	–	M 8	63	16.0	28.1	46.6	12.9	–	4.0	131	24711.0413
63	–	M 8	63	16.0	28.1	46.6	12.9	–	4.7	132	24711.0414
63	–	M10	25	16.0	28.1	46.6	12.9	–	3.2	122	24711.0415
63	–	M10	25	16.0	28.1	46.6	12.9	–	4.0	123	24711.0416
63	–	M10	25	16.0	28.1	46.6	12.9	–	4.7	124	24711.0417
63	–	M10	32	16.0	28.1	46.6	12.9	–	3.2	125	24711.0418

d ₁	d ₂	d ₃	l	Dimensions			h ₁	h ₂	t	Tightening torque +/- 10% max. [Nm]	 [g]	Art. No.
				d ₄	d ₅	[mm]						
63	-	M10	32	16.0	28.1	46.6	12.9	-	4.0	126	24711.0419	
63	-	M10	32	16.0	28.1	46.6	12.9	-	4.7	127	24711.0420	
63	-	M10	40	16.0	28.1	46.6	12.9	-	3.2	129	24711.0421	
63	-	M10	40	16.0	28.1	46.6	12.9	-	4.0	130	24711.0422	
63	-	M10	40	16.0	28.1	46.6	12.9	-	4.7	131	24711.0423	
63	-	M10	50	16.0	28.1	46.6	12.9	-	3.2	134	24711.0424	
63	-	M10	50	16.0	28.1	46.6	12.9	-	4.0	135	24711.0425	
63	-	M10	50	16.0	28.1	46.6	12.9	-	4.7	136	24711.0426	
63	-	M10	63	16.0	28.1	46.6	12.9	-	3.2	140	24711.0427	
63	-	M10	63	16.0	28.1	46.6	12.9	-	4.0	141	24711.0428	
63	-	M10	63	16.0	28.1	46.6	12.9	-	4.7	142	24711.0429	
80	-	M10	25	19.0	34.1	56.2	16.8	-	4.0	194	24711.0500	
80	-	M10	25	19.0	34.1	56.2	16.8	-	5.5	195	24711.0501	
80	-	M10	25	19.0	34.1	56.2	16.8	-	7.5	196	24711.0502	
80	-	M10	32	19.0	34.1	56.2	16.8	-	4.0	198	24711.0503	
80	-	M10	32	19.0	34.1	56.2	16.8	-	5.5	199	24711.0504	
80	-	M10	32	19.0	34.1	56.2	16.8	-	7.5	200	24711.0505	
80	-	M10	40	19.0	34.1	56.2	16.8	-	4.0	202	24711.0506	
80	-	M10	40	19.0	34.1	56.2	16.8	-	5.5	203	24711.0507	
80	-	M10	40	19.0	34.1	56.2	16.8	-	7.5	204	24711.0508	
80	-	M10	50	19.0	34.1	56.2	16.8	-	4.0	208	24711.0509	
80	-	M10	50	19.0	34.1	56.2	16.8	-	5.5	209	24711.0510	
80	-	M10	50	19.0	34.1	56.2	16.8	-	7.5	210	24711.0511	
80	-	M10	63	19.0	34.1	56.2	16.8	-	4.0	213	24711.0512	
80	-	M10	63	19.0	34.1	56.2	16.8	-	5.5	223	24711.0513	
80	-	M10	63	19.0	34.1	56.2	16.8	-	7.5	215	24711.0514	
80	-	M12	25	19.0	34.1	56.2	16.8	-	4.0	206	24711.0515	
80	-	M12	25	19.0	34.1	56.2	16.8	-	5.5	202	24711.0516	
80	-	M12	25	19.0	34.1	56.2	16.8	-	7.5	203	24711.0517	
80	-	M12	32	19.0	34.1	56.2	16.8	-	4.0	205	24711.0518	
80	-	M12	32	19.0	34.1	56.2	16.8	-	5.5	206	24711.0519	
80	-	M12	32	19.0	34.1	56.2	16.8	-	7.5	207	24711.0520	
80	-	M12	40	19.0	34.1	56.2	16.8	-	4.0	210	24711.0521	
80	-	M12	40	19.0	34.1	56.2	16.8	-	5.5	211	24711.0522	
80	-	M12	40	19.0	34.1	56.2	16.8	-	7.5	212	24711.0523	
80	-	M12	50	19.0	34.1	56.2	16.8	-	4.0	218	24711.0524	
80	-	M12	50	19.0	34.1	56.2	16.8	-	5.5	219	24711.0525	
80	-	M12	50	19.0	34.1	56.2	16.8	-	7.5	220	24711.0526	
80	-	M12	63	19.0	34.1	56.2	16.8	-	4.0	227	24711.0527	
80	-	M12	63	19.0	34.1	56.2	16.8	-	5.5	228	24711.0528	
80	-	M12	63	19.0	34.1	56.2	16.8	-	7.5	229	24711.0529	

Application example



Compliance

RoHS compliant

Contains lead - compliant according to exceptions 6a / 6b / 6c.

Contains SVHC substances >0,1% w/w

Contains lead - SVHC list [REACH] as of 27.06.2024.

Contains Proposition 65 substances



Lead can cause cancer and reproductive harm from exposure
<https://www.P65Warnings.ca.gov/>

Free from Conflict Minerals

This product does not contain any substances designated as "conflict minerals" such as tantalum, tin, gold or tungsten from the Democratic Republic of Congo or adjacent countries.