

## Star Grip Screws • similar to DIN 6336, stainless steel EH 24741.



### Product Description

These star grip screws are manufactured according to DIN 6336, but it is a version without dirty edges. This makes these star grip screws suitable for all areas of application with high hygienic requirements.

### Material

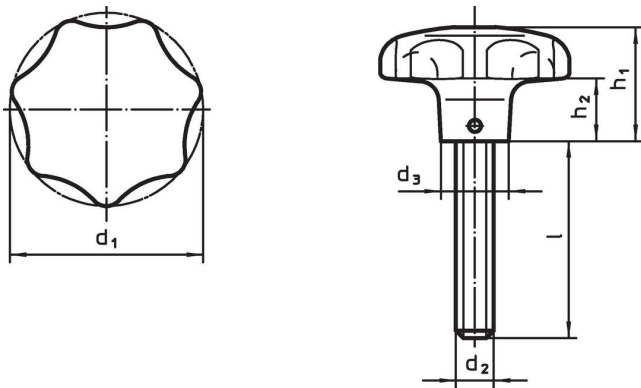
#### Handle

- Stainless steel 1.4308, precision casting, matt blasted

#### Screw

- Stainless steel 1.4305

### Drawing



### Order information

d <sub>1</sub>	d <sub>2</sub>	Dimensions				[g]	Art. No.
		l ~ [mm]	d <sub>3</sub>	h <sub>1</sub>	h <sub>2</sub>		
40	M 8	20	14	25	12	89	<a href="#">24741.0005</a>
40	M 8	25	14	25	12	87	<a href="#">24741.0010</a>
40	M 8	30	14	25	12	97	<a href="#">24741.0015</a>
40	M 8	40	14	25	12	93	<a href="#">24741.0020</a>
50	M10	20	18	32	15	171	<a href="#">24741.0025</a>
50	M10	25	18	32	15	172	<a href="#">24741.0030</a>
50	M10	30	18	32	15	177	<a href="#">24741.0035</a>
50	M10	45	18	32	15	187	<a href="#">24741.0040</a>
50	M10	55	18	32	15	194	<a href="#">24741.0045</a>
63	M12	30	20	40	19	343	<a href="#">24741.0050</a>
63	M12	40	20	40	19	338	<a href="#">24741.0055</a>
63	M12	50	20	40	19	329	<a href="#">24741.0060</a>

## Compliance

### RoHS compliant

Compliant according to Directive 2011/65/EU and Directive 2015/863.

### Does not contain SVHC substances

No SVHC substances with more than 0.1% w/w contained - SVHC list [REACH] as of 27.06.2024.

### Does not contain Proposition 65 substances

No Proposition 65 substances included.

<https://www.P65Warnings.ca.gov/>

### Free from Conflict Minerals

This product does not contain any substances designated as "conflict minerals" such as tantalum, tin, gold or tungsten from the Democratic Republic of Congo or adjacent countries.