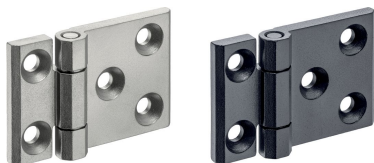


## Hinges • stainless steel, elongated on one side

EH 25162.



### Product Description

These hinges from stainless steel are characterised by the compact design. The hinge pins are form-fit pressed and are therefore suitable for use in case of strong vibrations and shocks.

Appropriate friction pairings of the hinge components and the lubrication reduce abrasion to a minimum.

The version with centering steps avoids lateral slipping under high loads and thus protects the fixing screws from unacceptable lateral forces.

### Material

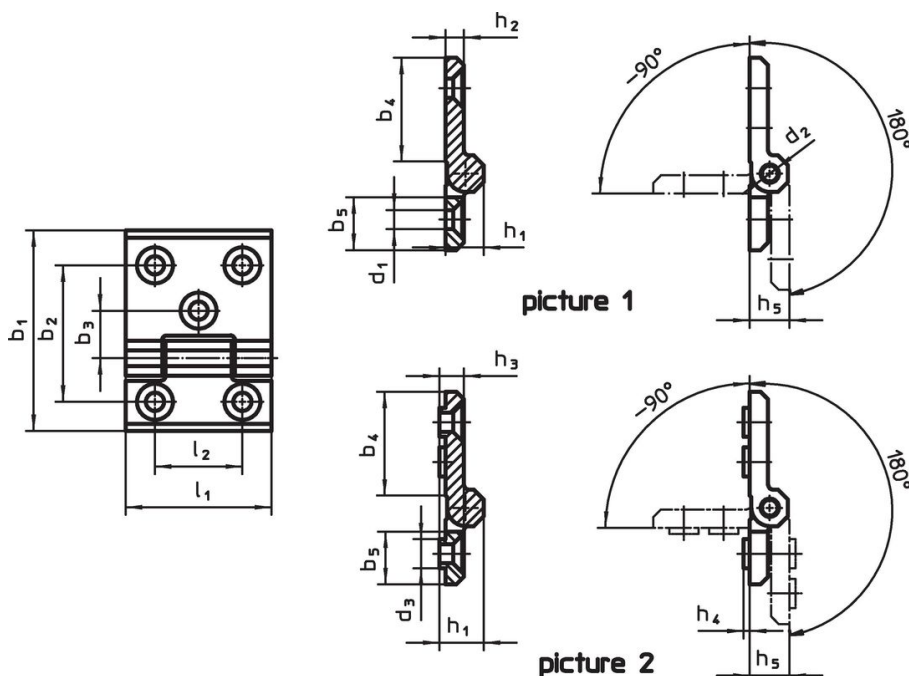
#### Body

- Stainless steel 1.4405, dull blasted
- Stainless steel 1.4405, plastic-coated, black similar to RAL 9005, structure matt

#### Axis


- Stainless steel

### Drawing



### Order information

b <sub>1</sub>	l <sub>1</sub>	b <sub>2</sub>	b <sub>3</sub>	b <sub>4</sub>	b <sub>5</sub>	Dimensions									[g]	Art. No.
						d <sub>1</sub>	d <sub>2</sub>	d <sub>3</sub>	h <sub>1</sub>	h <sub>2</sub>	h <sub>3</sub>	h <sub>4</sub>	h <sub>5</sub>	l <sub>2</sub>		
[mm]																
<b>one-sided with additional mounting hole – picture 1, dull blasted</b>																
63	50	43	15.0	34	21.0	6.3	6	9.5	12.5	6	6.5	2	13	30	135	25162.0055
90	60	63	22.5	56	25.5	8.3	8	12.5	16.0	8	8.5	3	17	36	309	25162.0085
120	80	85	30.0	75	36.0	10.3	10	14.5	20.0	10	10.5	4	21	50	677	25162.0015
<b>one-sided with additional mounting hole – picture 1, black</b>																
63	50	43	15.0	34	21.0	6.3	6	9.5	12.5	6	6.5	2	13	30	135	25162.0155
90	60	63	22.5	56	25.5	8.3	8	12.5	16.0	8	8.5	3	17	36	309	25162.0185
120	80	85	30.0	75	36.0	10.3	10	14.5	20.0	10	10.5	4	21	50	677	25162.0115
<b>one-sided with additional mounting hole and centring inserts – picture 2, dull blasted</b>																
63	50	43	15.0	34	21.0	6.3	6	9.5	12.5	6	6.5	2	13	30	142	25162.0060
90	60	63	22.5	56	25.5	8.3	8	12.5	16.0	8	8.5	3	17	36	317	25162.0090
120	80	85	30.0	75	36.0	10.3	10	14.5	20.0	10	10.5	4	21	50	690	25162.0020

Dimensions																Art. No.
b <sub>1</sub>	l <sub>1</sub>	b <sub>2</sub>	b <sub>3</sub>	b <sub>4</sub>	b <sub>5</sub>	d <sub>1</sub>	d <sub>2</sub>	d <sub>3</sub>	h <sub>1</sub>	h <sub>2</sub>	h <sub>3</sub>	h <sub>4</sub>	h <sub>5</sub>	l <sub>2</sub>		
<b>one-sided with additional mounting hole and centring inserts – picture 2, black</b>																
63	50	43	15.0	34	21.0	6.3	6	9.5	12.5	6	6.5	2	13	30	142	25162.0160
90	60	63	22.5	56	25.5	8.3	8	12.5	16.0	8	8.5	3	17	36	317	25162.0190
120	80	85	30.0	75	36.0	10.3	10	14.5	20.0	10	10.5	4	21	50	690	25162.0120

## Compliance

### RoHS compliant

Compliant according to Directive 2011/65/EU and Directive 2015/863.

### Does not contain SVHC substances

No SVHC substances with more than 0.1% w/w contained - SVHC list [REACH] as of 27.06.2024.

### Does not contain Proposition 65 substances

No Proposition 65 substances included.

<https://www.P65Warnings.ca.gov/>

### Free from Conflict Minerals

This product does not contain any substances designated as "conflict minerals" such as tantalum, tin, gold or tungsten from the Democratic Republic of Congo or adjacent countries.