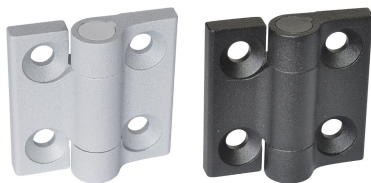


Hinges • Zinc die-cast, with indexing positions

EH 25164.



Product Description

Hinges from zinc die-cast with indexing positions hold door and covers in fixed positions. It avoids undesired automatic closing or opening. This is an advantage for example when filling machines and facilities or during maintenance and repairs.

The version with the indexing positions -3° and 117° (picture 2) also ensures that the door or cover presses slightly against the housing frame by the -3° when closed.

These hinges from zinc die-cast are characterised by their simple and timeless design.

Material

Body

- Zinc die-cast, plastic coated, silver, similar to RAL 9006, matt structure
- Zinc die-cast, plastic coated, black, similar to RAL 9005, matt structure

Axis

- Stainless steel 1.4305

Spring

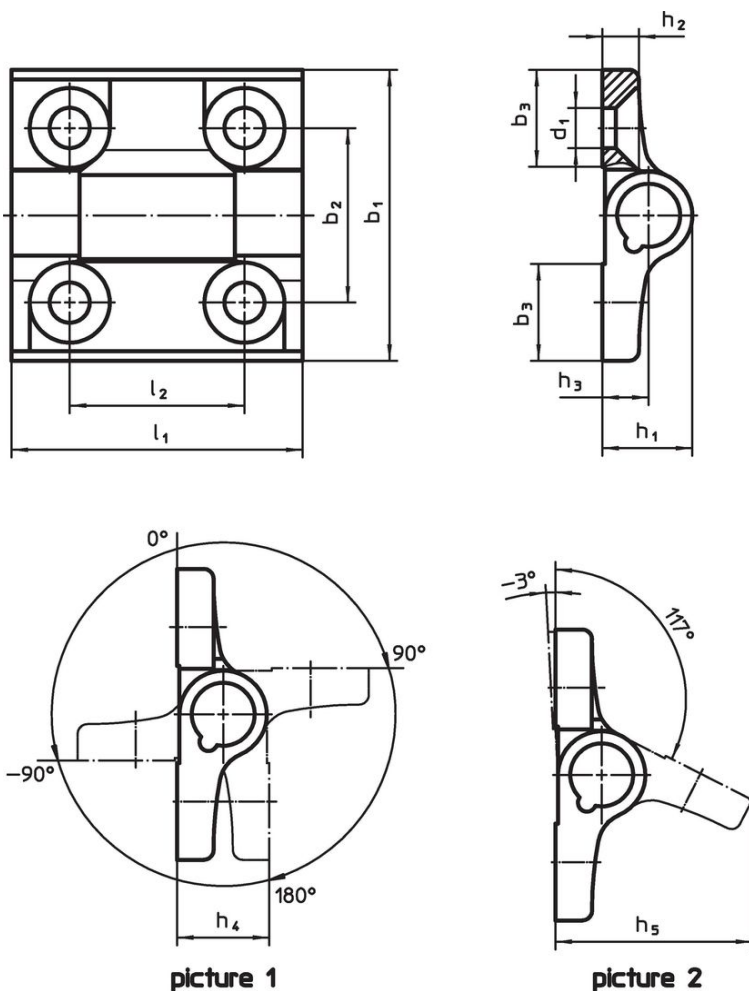
- Spring steel wire

More information

Further products

- Spacer Plates, for hinges
- Threaded Plates, for hinges

Drawing



Order information

Dimensions												max. [°C]	[g]	Art. No.
b ₁	l ₁	b ₂	b ₃	d ₁	h ₁	h ₂	h ₃	h ₄	h ₅	l ₂	[mm]			
indexing positions -90°, 0°, 90° and 180° – picture 1, Zinc die-cast, silver														
60	60	36	20	8.3	18.5	7.5	9.5	19	40.5	36	80	152	25164.0005	
indexing positions -90°, 0°, 90° and 180° – picture 1, Zinc die-cast, black														
60	60	36	20	8.3	18.5	7.5	9.5	19	40.5	36	80	152	25164.0105	
indexing positions -3° and 117° – picture 2, Zinc die-cast, silver														
60	60	36	20	8.3	18.5	7.5	9.5	19	40.5	36	80	152	25164.0010	
indexing positions -3° and 117° – picture 2, Zinc die-cast, black														
60	60	36	20	8.3	18.5	7.5	9.5	19	40.5	36	80	152	25164.0110	

Compliance

For detailed compliance information please select the desired article number.