

Spring Plungers · with ball and slot - INCH EH 2B050.



Product Description

To be used for positioning, indexing, locking, latching as well as for other similar pressure applications.

Spring plungers can be used for locating or for applying pressure, as a detent or for ejection.

Material

Body

- Free cutting steel, blackened
- Stainless steel 1.4305 (ASTM-A-582)

Ball

- Stainless steel, hardened

Spring

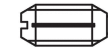
- Stainless steel

Characteristic

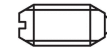
Light spring load: marked with one line

Standard spring load: no marking

Heavy spring load: marked with two lines



Light spring load



Standard spring load



Heavy spring load

More information

Notes

Special types on request.

Spring plungers are specially tested for spring range and forces.

- This product is manufactured in INCH dimensions.

References

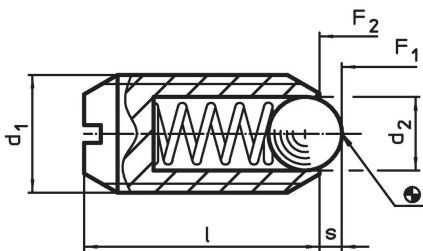
A conversion table can be found in the technical data following these product information pages.

Thread lock: polyamide spot coating (for details please refer to the technical appendix).
Calculation of indexing resistance, please refer to appendix - Technical Data -

Further products

- Spring Plungers, with ball and slot
- Locators, with bore hole, for spring plungers
- Locators, smooth, for spring plungers

Drawing



Order information

d ₁	Dimensions		d ₂	l	Stroke s	Spring load ¹⁾		min.	max.	oz	Art. No.	
	Thread	[in]				[in]	[in]					F ₁ ~
free cutting steel, light spring load, Without thread lock												
#10-32		0.190	2A-UNF	3/32	33/64	0.025	0.9	1.5	-22	482	0.049	2B050.0010
1/4-20	1/4	0.250	2A-UNC	1/8	17/32	0.035	2.1	4.0	-22	482	0.074	2B050.0012
5/16-18	5/16	0.313	2A-UNC	5/32	37/64	0.040	2.0	4.6	-22	482	0.114	2B050.0016
3/8-16	3/8	0.375	2A-UNC	3/16	5/8	0.048	2.5	5.0	-22	482	0.193	2B050.0018
1/2-13	1/2	0.500	2A-UNC	9/32	3/4	0.072	3.0	6.0	-22	482	0.397	2B050.0020
5/8-11	5/8	0.625	2A-UNC	3/8	63/64	0.096	4.5	9.0	-22	482	0.787	2B050.0022

¹⁾ statistical average value

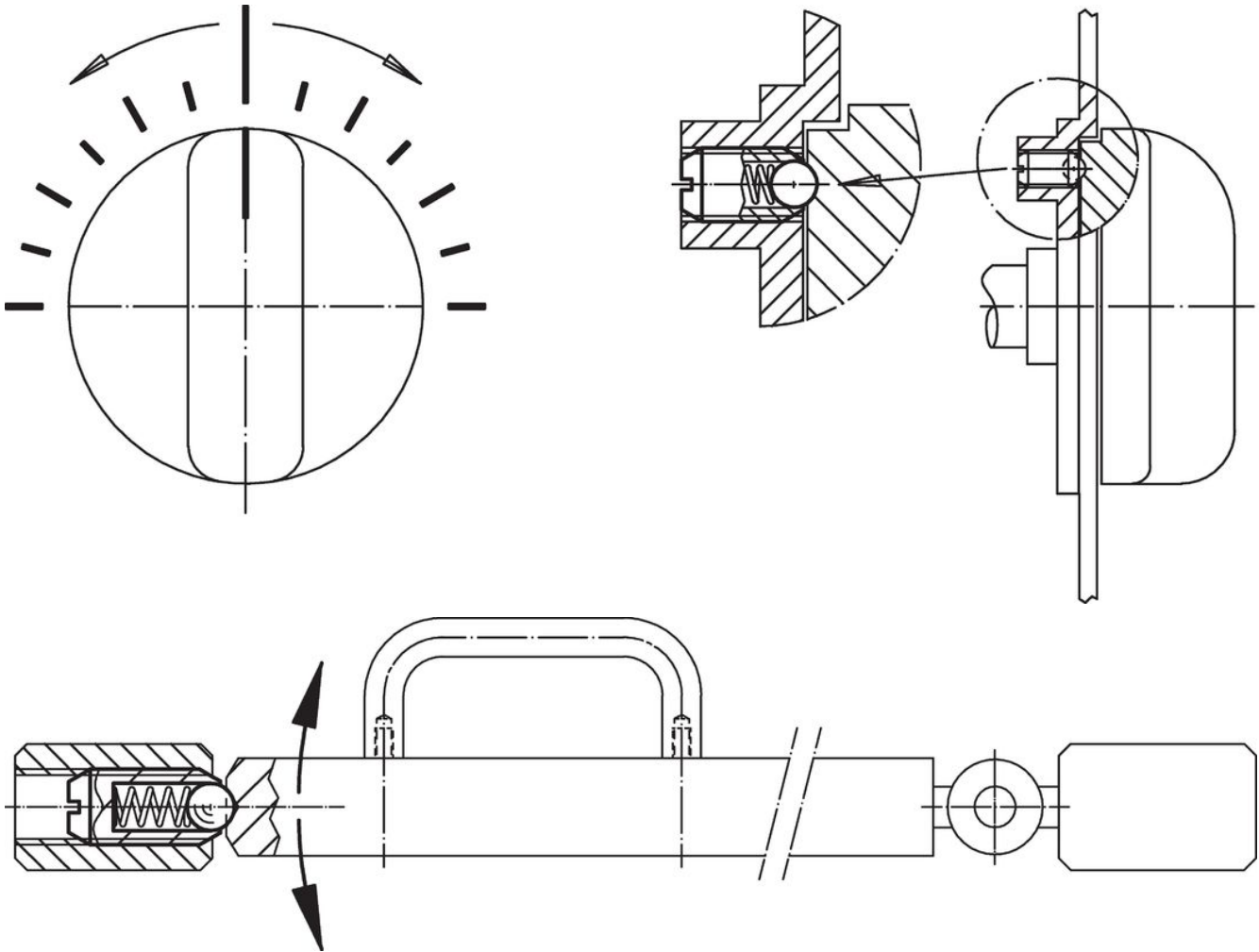
d ₁		Dimensions				Stroke s [in]	Spring load ¹⁾		min. max.		[oz]	Art. No.
		Thread	d ₂	l	[in]		F ₁ ~ [lb]	F ₂ ~ [lb]	[°F]			
[in]												
free cutting steel, light spring load, With thread lock												
#10-32		0.190	2A-UNF	3/32	33/64	0.025	0.9	1.5	-22	194	0.049	2B050.0210
1/4-20	1/4	0.250	2A-UNC	1/8	17/32	0.035	2.1	4.0	-22	194	0.073	2B050.0212
5/16-18	5/16	0.313	2A-UNC	5/32	37/64	0.040	2.0	4.6	-22	194	0.123	2B050.0216
3/8-16	3/8	0.375	2A-UNC	3/16	5/8	0.048	2.5	5.0	-22	194	0.194	2B050.0218
1/2-13	1/2	0.500	2A-UNC	9/32	3/4	0.072	3.0	6.0	-22	194	0.399	2B050.0220
5/8-11	5/8	0.625	2A-UNC	3/8	63/64	0.096	4.5	9.0	-22	194	0.790	2B050.0222
free cutting steel, standard spring load, Without thread lock												
#4-48		0.112	2A-UNF	1/16	3/16	0.020	0.1	0.5	-22	482	0.004	2B050.0031
#5-40		0.125	2A-UNC	1/16	1/4	0.020	0.3	0.8	-22	482	0.008	2B050.0032
#6-32		0.138	2A-UNC	5/64	5/16	0.023	0.5	1.0	-22	482	0.011	2B050.0033
#6-40		0.138	2A-UNF	5/64	5/16	0.023	0.5	1.0	-22	482	0.012	2B050.0035
#8-32		0.164	2A-UNC	3/32	11/32	0.025	0.8	1.3	-22	482	0.018	2B050.0036
#8-36		0.164	2A-UNF	3/32	11/32	0.025	0.8	1.3	-22	482	0.026	2B050.0038
#10-32		0.190	2A-UNF	3/32	33/64	0.025	2.0	3.1	-22	482	0.049	2B050.0040
1/4-20	1/4	0.250	2A-UNC	1/8	17/32	0.035	3.8	6.8	-22	482	0.065	2B050.0042
5/16-18	5/16	0.313	2A-UNC	5/32	37/64	0.040	4.0	8.4	-22	482	0.123	2B050.0046
3/8-16	3/8	0.375	2A-UNC	3/16	5/8	0.048	5.0	10.3	-22	482	0.198	2B050.0048
1/2-13	1/2	0.500	2A-UNC	9/32	3/4	0.072	6.0	12.0	-22	482	0.389	2B050.0050
5/8-11	5/8	0.625	2A-UNC	3/8	63/64	0.096	9.0	18.0	-22	482	0.811	2B050.0052
free cutting steel, standard spring load, With thread lock												
#4-48		0.112	2A-UNF	1/16	3/16	0.020	0.1	0.5	-22	194	0.005	2B050.0231
#5-40		0.125	2A-UNC	1/16	1/4	0.020	0.3	0.8	-22	194	0.007	2B050.0232
#6-32		0.138	2A-UNC	5/64	5/16	0.023	0.5	1.0	-22	194	0.011	2B050.0233
#6-40		0.138	2A-UNF	5/64	5/16	0.023	0.5	1.0	-22	194	0.020	2B050.0235
#8-32		0.164	2A-UNC	3/32	11/32	0.025	0.8	1.3	-22	194	0.026	2B050.0236
#8-36		0.164	2A-UNF	3/32	11/32	0.025	0.8	1.3	-22	194	0.027	2B050.0238
#10-32		0.190	2A-UNF	3/32	33/64	0.025	2.0	3.1	-22	194	0.050	2B050.0240
1/4-20	1/4	0.250	2A-UNC	1/8	17/32	0.035	3.8	6.8	-22	194	0.074	2B050.0242
5/16-18	5/16	0.313	2A-UNC	5/32	37/64	0.040	4.0	8.4	-22	194	0.115	2B050.0246
3/8-16	3/8	0.375	2A-UNC	3/16	5/8	0.048	5.0	10.3	-22	194	0.189	2B050.0248
1/2-13	1/2	0.500	2A-UNC	9/32	3/4	0.072	6.0	12.0	-22	194	0.378	2B050.0250
5/8-11	5/8	0.625	2A-UNC	3/8	63/64	0.096	9.0	18.0	-22	194	0.797	2B050.0252
free cutting steel, heavy spring load, Without thread lock												
#10-32		0.190	2A-UNF	3/32	33/64	0.025	3.3	4.8	-22	482	0.049	2B050.0070
1/4-20	1/4	0.250	2A-UNC	1/8	17/32	0.035	5.6	8.6	-22	482	0.064	2B050.0072
5/16-18	5/16	0.313	2A-UNC	5/32	37/64	0.040	6.0	11.1	-22	482	0.113	2B050.0076
3/8-16	3/8	0.375	2A-UNC	3/16	5/8	0.048	7.5	15.1	-22	482	0.196	2B050.0078
1/2-13	1/2	0.500	2A-UNC	9/32	3/4	0.072	6.0	24.0	-22	482	0.408	2B050.0080
5/8-11	5/8	0.625	2A-UNC	3/8	63/64	0.096	7.0	40.0	-22	482	0.825	2B050.0082
free cutting steel, heavy spring load, With thread lock												
#10-32		0.190	2A-UNF	3/32	33/64	0.025	3.3	4.8	-22	194	0.041	2B050.0270
1/4-20	1/4	0.250	2A-UNC	1/8	17/32	0.035	5.6	8.6	-22	194	0.065	2B050.0272
5/16-18	5/16	0.313	2A-UNC	5/32	37/64	0.040	6.0	11.1	-22	194	0.113	2B050.0276
3/8-16	3/8	0.375	2A-UNC	3/16	5/8	0.048	7.5	15.1	-22	194	0.198	2B050.0278
1/2-13	1/2	0.500	2A-UNC	9/32	3/4	0.072	6.0	24.0	-22	194	0.398	2B050.0280
5/8-11	5/8	0.625	2A-UNC	3/8	63/64	0.096	7.0	40.0	-22	194	0.819	2B050.0282
stainless steel, light spring load, Without thread lock												
#10-32		0.190	2A-UNF	3/32	33/64	0.025	0.9	1.5	-22	482	0.041	2B050.0110
1/4-20	1/4	0.250	2A-UNC	1/8	17/32	0.035	2.1	4.0	-22	482	0.052	2B050.0112
5/16-18	5/16	0.313	2A-UNC	5/32	37/64	0.040	2.0	4.6	-22	482	0.117	2B050.0116
3/8-16	3/8	0.375	2A-UNC	3/16	5/8	0.048	2.5	5.0	-22	482	0.190	2B050.0118
1/2-13	1/2	0.500	2A-UNC	9/32	3/4	0.072	3.0	6.0	-22	482	0.397	2B050.0120
5/8-11	5/8	0.625	2A-UNC	3/8	63/64	0.096	4.5	9.0	-22	482	0.790	2B050.0122

1) statistical average value

d ₁		Dimensions				Stroke s	Spring load ¹⁾		min. max.		oz	Art. No.
		Thread	d ₂	l	[in]		F ₁	F ₂	[°F]			
[in]					[in]	[lb]						
stainless steel, light spring load, With thread lock												
#10-32		0.190	2A-UNF	3/32	33/64	0.025	0.9	1.5	-22	194	0.048	2B050.0310
1/4-20	1/4	0.250	2A-UNC	1/8	17/32	0.035	2.1	4.0	-22	194	0.074	2B050.0312
5/16-18	5/16	0.313	2A-UNC	5/32	37/64	0.040	2.0	4.6	-22	194	0.123	2B050.0316
3/8-16	3/8	0.375	2A-UNC	3/16	5/8	0.048	2.5	5.0	-22	194	0.188	2B050.0318
1/2-13	1/2	0.500	2A-UNC	9/32	3/4	0.072	3.0	6.0	-22	194	0.399	2B050.0320
5/8-11	5/8	0.625	2A-UNC	3/8	63/64	0.096	4.5	9.0	-22	194	0.790	2B050.0322
stainless steel, standard spring load, Without thread lock												
#4-48		0.112	2A-UNF	1/16	3/16	0.020	0.1	0.5	-22	482	0.004	2B050.0131
#5-40		0.125	2A-UNC	1/16	1/4	0.020	0.3	0.8	-22	482	0.007	2B050.0132
#6-32		0.138	2A-UNC	5/64	5/16	0.023	0.5	1.0	-22	482	0.011	2B050.0133
#6-40		0.138	2A-UNF	5/64	5/16	0.023	0.5	1.0	-22	482	0.012	2B050.0135
#8-32		0.164	2A-UNC	3/32	11/32	0.025	0.8	1.3	-22	482	0.018	2B050.0136
#8-36		0.164	2A-UNF	3/32	11/32	0.025	0.8	1.3	-22	482	0.019	2B050.0138
#10-32		0.190	2A-UNF	3/32	33/64	0.025	2.0	3.1	-22	482	0.041	2B050.0140
1/4-20	1/4	0.250	2A-UNC	1/8	17/32	0.035	3.8	6.8	-22	482	0.065	2B050.0142
5/16-18	5/16	0.313	2A-UNC	5/32	37/64	0.040	4.0	8.4	-22	482	0.123	2B050.0146
3/8-16	3/8	0.375	2A-UNC	3/16	5/8	0.048	5.0	10.3	-22	482	0.198	2B050.0148
1/2-13	1/2	0.500	2A-UNC	9/32	3/4	0.072	6.0	12.0	-22	482	0.383	2B050.0150
5/8-11	5/8	0.625	2A-UNC	3/8	63/64	0.096	9.0	18.0	-22	482	0.813	2B050.0152
stainless steel, standard spring load, With thread lock												
#4-48		0.112	2A-UNF	1/16	3/16	0.020	0.1	0.5	-22	194	0.005	2B050.0331
#5-40		0.125	2A-UNC	1/16	1/4	0.020	0.3	0.8	-22	194	0.015	2B050.0332
#6-32		0.138	2A-UNC	5/64	5/16	0.023	0.5	1.0	-22	194	0.185	2B050.0333
#6-40		0.138	2A-UNF	5/64	5/16	0.023	0.5	1.0	-22	194	0.020	2B050.0335
#8-32		0.164	2A-UNC	3/32	11/32	0.025	0.8	1.3	-22	194	0.018	2B050.0336
#8-36		0.164	2A-UNF	3/32	11/32	0.025	0.8	1.3	-22	194	0.026	2B050.0338
#10-32		0.190	2A-UNF	3/32	33/64	0.025	2.0	3.1	-22	194	0.041	2B050.0340
1/4-20	1/4	0.250	2A-UNC	1/8	17/32	0.035	3.8	6.8	-22	194	0.073	2B050.0342
5/16-18	5/16	0.313	2A-UNC	5/32	37/64	0.040	4.0	8.4	-22	194	0.123	2B050.0346
3/8-16	3/8	0.375	2A-UNC	3/16	5/8	0.048	5.0	10.3	-22	194	0.191	2B050.0348
1/2-13	1/2	0.500	2A-UNC	9/32	3/4	0.072	6.0	12.0	-22	194	0.406	2B050.0350
5/8-11	5/8	0.625	2A-UNC	3/8	63/64	0.096	9.0	18.0	-22	194	0.815	2B050.0352
stainless steel, heavy spring load, Without thread lock												
#10-32		0.190	2A-UNF	3/32	33/64	0.025	3.3	4.8	-22	482	0.046	2B050.0170
1/4-20	1/4	0.250	2A-UNC	1/8	17/32	0.035	5.6	8.6	-22	482	0.074	2B050.0172
5/16-18	5/16	0.313	2A-UNC	5/32	37/64	0.040	6.0	11.1	-22	482	0.123	2B050.0176
3/8-16	3/8	0.375	2A-UNC	3/16	5/8	0.048	7.5	15.1	-22	482	0.197	2B050.0178
1/2-13	1/2	0.500	2A-UNC	9/32	3/4	0.072	6.0	24.0	-22	482	0.395	2B050.0180
5/8-11	5/8	0.625	2A-UNC	3/8	63/64	0.096	7.0	40.0	-22	482	0.825	2B050.0182
stainless steel, heavy spring load, With thread lock												
#10-32		0.190	2A-UNF	3/32	33/64	0.025	3.3	4.8	-22	194	0.049	2B050.0370
1/4-20	1/4	0.250	2A-UNC	1/8	17/32	0.035	5.6	8.6	-22	194	0.071	2B050.0372
5/16-18	5/16	0.313	2A-UNC	5/32	37/64	0.040	6.0	11.1	-22	194	0.115	2B050.0376
3/8-16	3/8	0.375	2A-UNC	3/16	5/8	0.048	7.5	15.1	-22	194	0.198	2B050.0378
1/2-13	1/2	0.500	2A-UNC	9/32	3/4	0.072	6.0	24.0	-22	194	0.409	2B050.0380
5/8-11	5/8	0.625	2A-UNC	3/8	63/64	0.096	7.0	40.0	-22	194	0.825	2B050.0382

¹⁾ statistical average value

Application example



Compliance

For detailed compliance information please select the desired article number.