

## Lateral Plungers • smooth, without seal - INCH EH 2B150.



### Product Description

To be used for positioning and applying pressure, e.g. during painting and sandblasting.

#### Material

##### Body

- Aluminium Al

##### Spring

- Stainless steel
- Steel, blackened
- Steel, zinc-plated by galvanization

##### Pin

- Steel, case-hardened, zinc-plated by galvanization
- Thermoplastic POM, white

#### Assembly

Installation by pressing in.

Formula for calculating the center distance for the mounting hole:

$$l_0 = z/2 + w + x,$$

$l_0$  = center distance,

$y$  = workpiece height,

$w$  = workpiece length,

$x$  = coordinate dimension,

$s$  = stroke,

$z$  = stop diameter

Calculation dimension  $x$ :

$y$  greater than or equal to  $l_2 - d_2/2$ ,

then  $x = d_2/2 - s$

(value  $x$  for this case see table)

or

$y$  smaller than  $l_2 - d_2/2$ ,

then  $x = d_2/2 - s - [(l_2 - d_2/2 - y) * 0,123]$

#### Characteristic

Version light spring load = spring from stainless steel

Version standard spring load = spring from steel, blackened

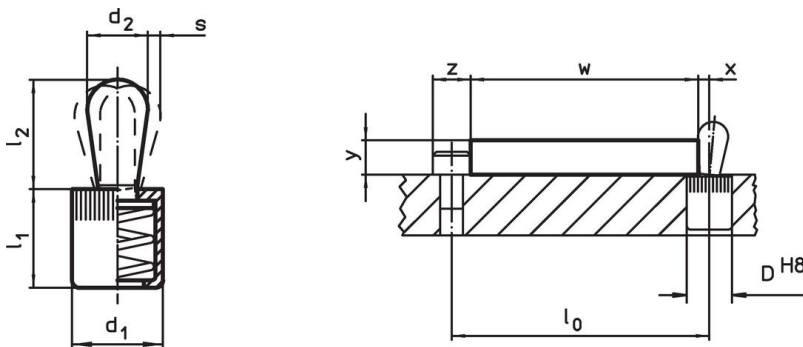
Version heavy spring load = spring from steel, zinc-plated by galvanization

#### More information

#### Further products

- Eccentric Mounting Bushings, for lateral plungers, smooth - INCH

### Drawing




Order information

Dimensions		Spring load F max. <sup>1)</sup> ~ [lb]	Dimensions		Stroke s [in]	Location hole D H8 [in]	x <sup>2)</sup> [in]	max. [°F]	[oz]	Art. No.
d <sub>1</sub> [in]	d <sub>2</sub> [in]		l <sub>1</sub> -0.08 [in]	l <sub>2</sub> [in]						
<b>Pin: Steel/Light spring load</b>										
1/4	0.118	2.2	0.275	0.157	0.020	1/4	0.035	482	0.024	2B150.0010
7/16	0.197	4.5	0.433	0.263	0.031	7/16	0.063	482	0.107	2B150.0020
7/16	0.236	9.0	0.433	0.421	0.039	7/16	0.071	482	0.137	2B150.0025
1/2	0.315	11.2	0.525	0.535	0.051	1/2	0.102	482	0.261	2B150.0030
5/8	0.393	22.5	0.669	0.657	0.063	5/8	0.126	482	0.527	2B150.0040
<b>Pin: Steel/Standard spring load</b>										
1/4	0.118	4.5	0.275	0.157	0.020	1/4	0.035	482	0.024	2B150.0011
7/16	0.197	11.2	0.433	0.263	0.031	7/16	0.063	482	0.115	2B150.0021
7/16	0.236	16.9	0.433	0.421	0.039	7/16	0.071	482	0.143	2B150.0026
1/2	0.315	22.5	0.525	0.535	0.051	1/2	0.102	482	0.277	2B150.0031
5/8	0.393	34.0	0.669	0.657	0.063	5/8	0.126	482	0.526	2B150.0041
<b>Pin: Steel/Heavy spring load</b>										
1/4	0.118	9.0	0.275	0.157	0.020	1/4	0.035	482	0.025	2B150.0012
7/16	0.197	21.5	0.433	0.263	0.031	7/16	0.063	482	0.123	2B150.0022
7/16	0.236	22.5	0.433	0.421	0.039	7/16	0.071	482	0.156	2B150.0027
1/2	0.315	34.0	0.525	0.535	0.051	1/2	0.102	482	0.292	2B150.0032
5/8	0.393	45.0	0.669	0.657	0.063	5/8	0.126	482	0.549	2B150.0042
<b>Pin: Thermoplastic/Light spring load</b>										
1/4	0.118	2.2	0.275	0.157	0.020	1/4	0.035	176	0.014	2B150.0050
7/16	0.197	4.5	0.433	0.263	0.031	7/16	0.063	176	0.062	2B150.0060
7/16	0.236	9.0	0.433	0.421	0.039	7/16	0.071	176	0.070	2B150.0065
1/2	0.315	11.2	0.525	0.547	0.051	1/2	0.102	176	0.118	2B150.0070
5/8	0.393	22.5	0.669	0.657	0.063	5/8	0.126	176	0.250	2B150.0080

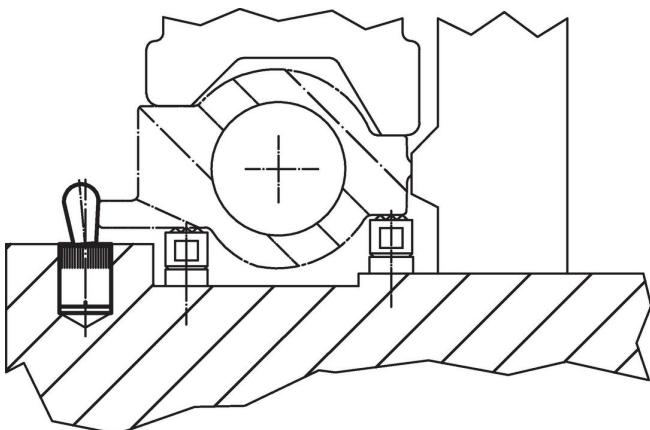
<sup>1)</sup> statistical average value

<sup>2)</sup> If the workpiece height (y) is less than l<sub>2</sub>-d<sub>2</sub>/2, the coordinate dimension (x) must be calculated.

Accessories

	Dimensions	[oz]	Art. No.
	d <sub>1</sub> [in]		
<b>assembly tool</b>			
	1/4	0.678	22150.0830
	7/16	1.749	22150.0831
	1/2	2.321	22150.0832
	5/8	3.749	22150.0833

Application example



## Compliance

For detailed compliance information please select the desired article number.